

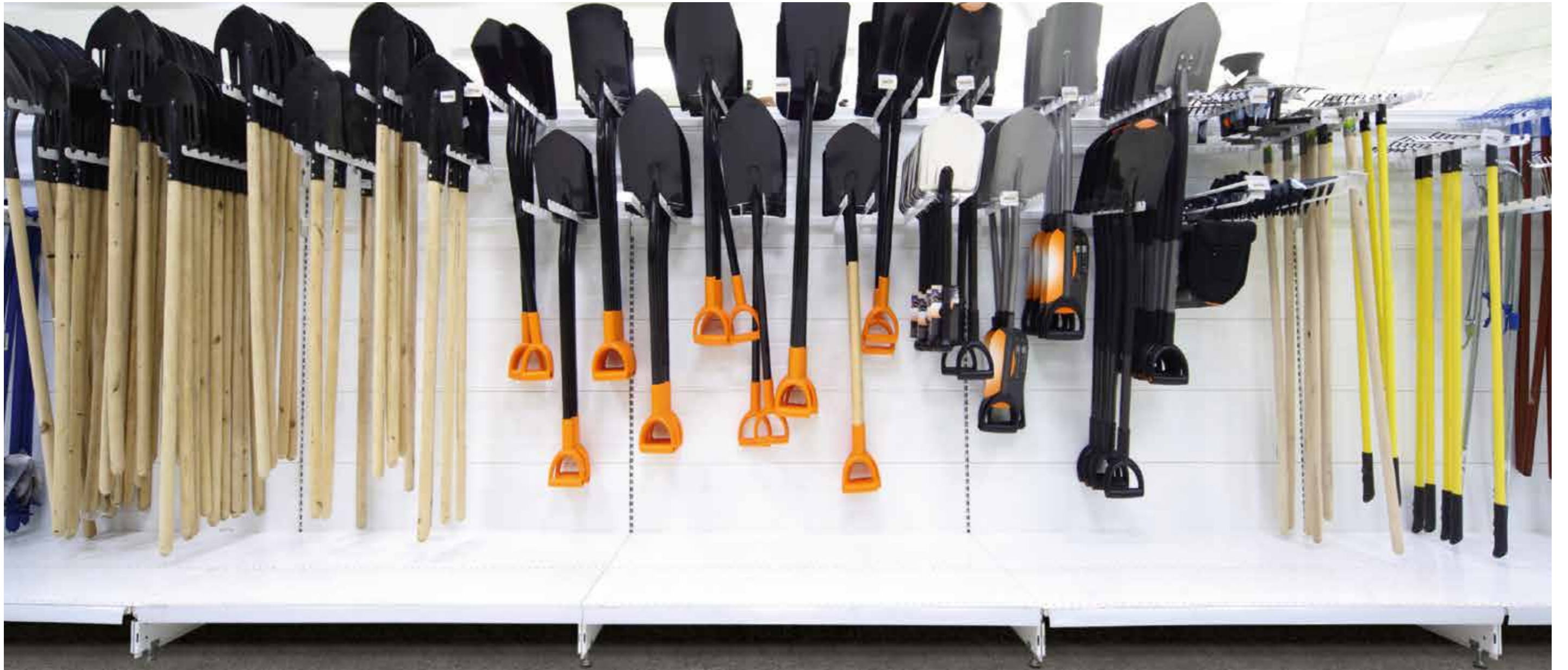
LUXURY
VINYL
TILES

iD TILT

FLOOR
IS THE NEW
PLAYGROUND



THE ULTIMATE
FLOORING EXPERIENCE



iD TILT

Get tough with iD Tilt, the floor designed to meet your high traffic commercial and industrial needs. Even in heavy-traffic areas, flooring designs and layouts can enhance pathways or zoning and still be playful.

Concrete / Dark Grey



iD TILT

iD TILT is Tarkett's floating floorcovering solution designed for commercial or industrial applications in both new builds and renovation projects. Easy to install, it keeps installation time to a minimum and iD TILT also reduces business losses due to construction downtime. Good value for your money, iD TILT saves you time and is an invaluable cost-saver on any construction project.

EASY TO INSTALL

- Limited subfloor preparation = time saved: 20% quicker than glue-down products.
- No glue required = cost & time savings: 10% lower installation costs.
- Your floor immediately available for use = no loss of business: overnight installation.

EASY TO MAINTAIN

- Easy to remove & to renovate.
- No damage to subfloor.
- Easy to clean: TopClean XP™ surface treatment.

HELPS DEFINE SPACES

- Create shop in shop corners and demo areas.
- Directional signage.
- Divide areas.

A SOLID CONSTRUCTION

- Suitable for high traffic areas.
- Very resistant interlocking system.
- Clean appearance.
- Long-lasting performance.

A SUSTAINABLE SOLUTION



Total VOC emissions are at least 10 times lower than Europe's strictest standards.

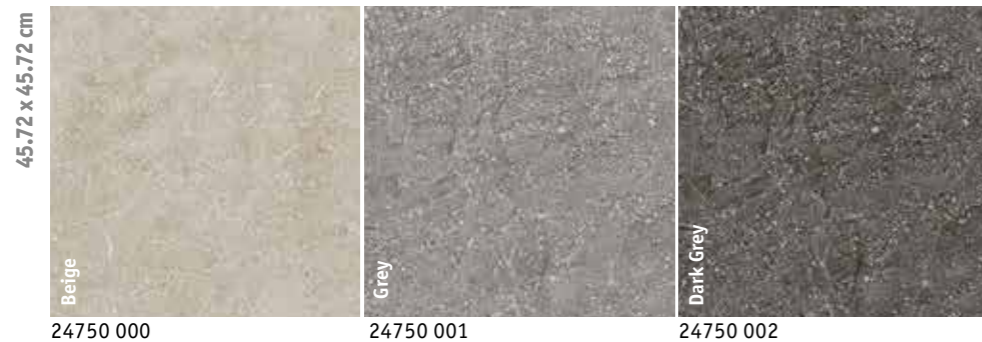


100% recyclable.

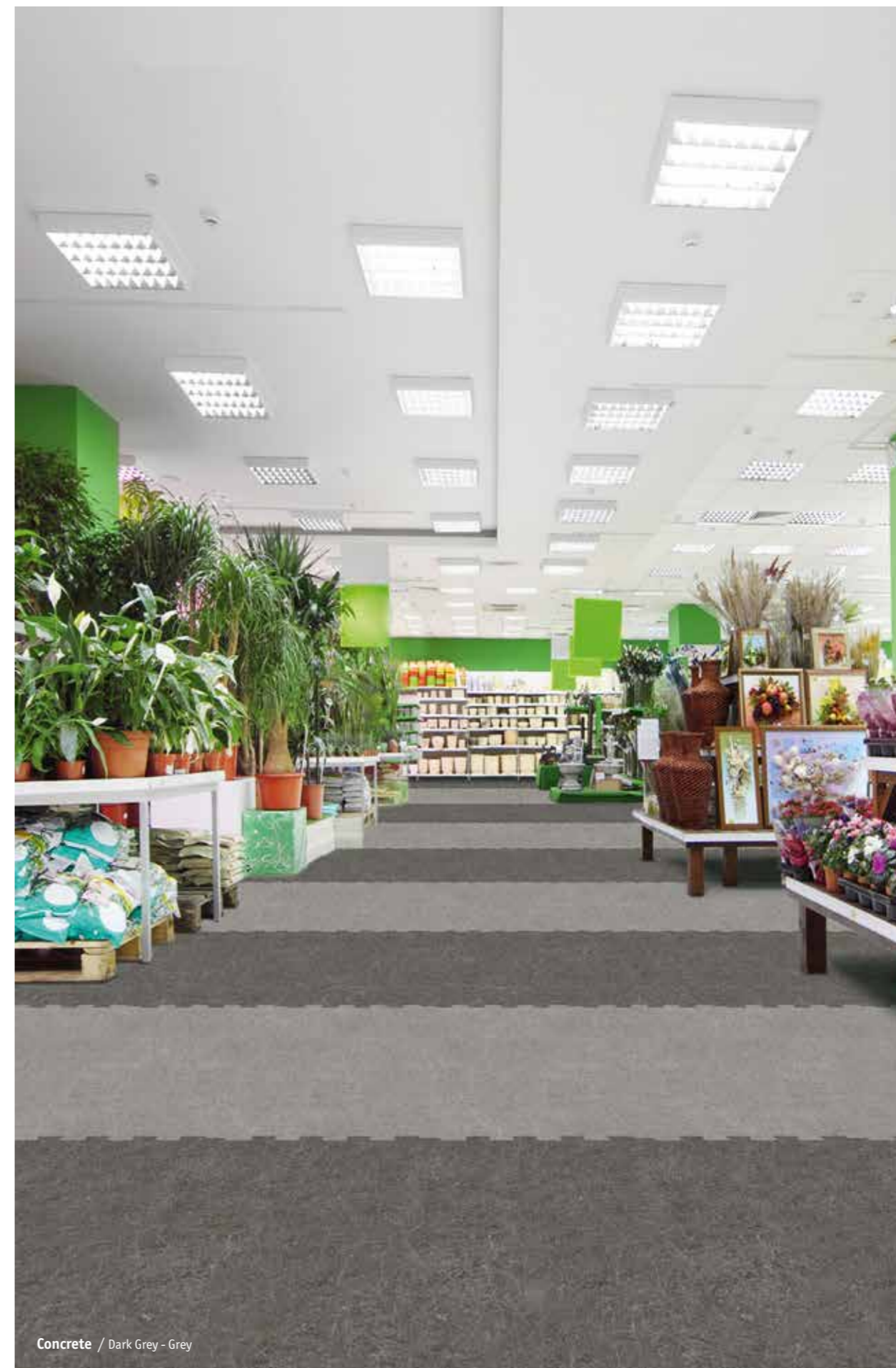
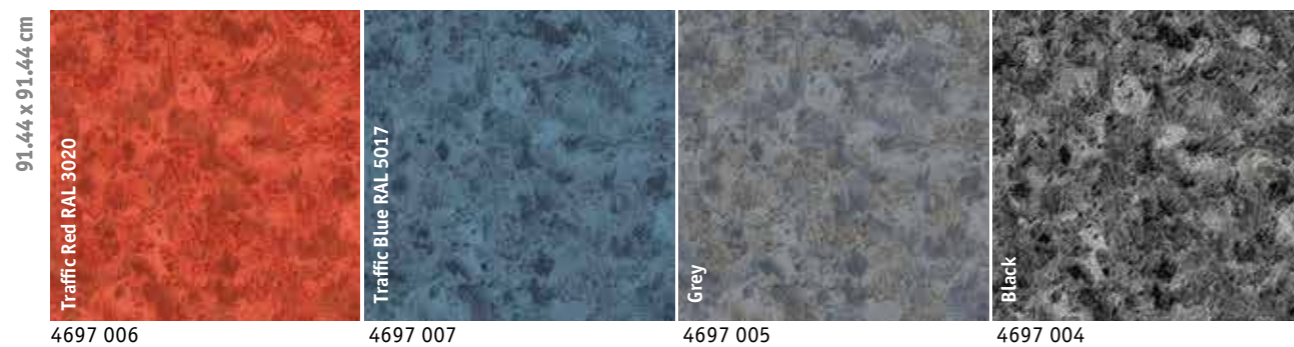


Phthalate-free technology based on alternative plasticizers.

Concrete

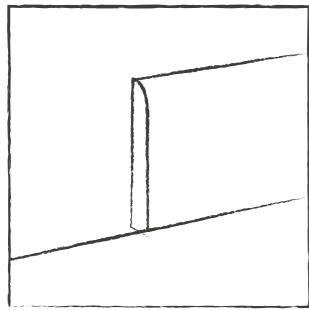


Granite



ACCESSORIES

SKIRTING

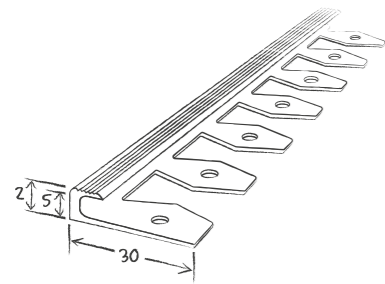


WALL BASE DECORATIVE SET-ON SKIRTING

■ Compact skirting with decorative film and PUR surface treatment, to be glued

- White 26640 700
- Aluminium 26640 701
- 📦 2.02 lm skirting in packs x 10

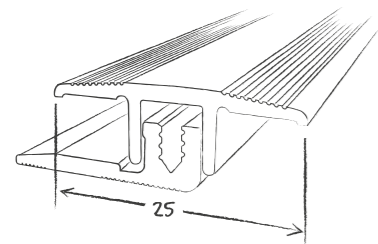
PROFILE



BENDABLE PROFILE

Aluminium stop profile, to be screwed

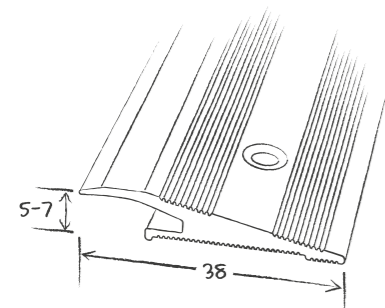
- Silver 1456 011
- Stainless Steel 1456 012
- 📦 10 units of 2.5 lm



TRANSITION STRIP

Very high traffic aluminium transition strip, to be screwed

- Silver 1451 011
- Stainless Steel 1451 012
- 📦 10 units of 2.7 lm

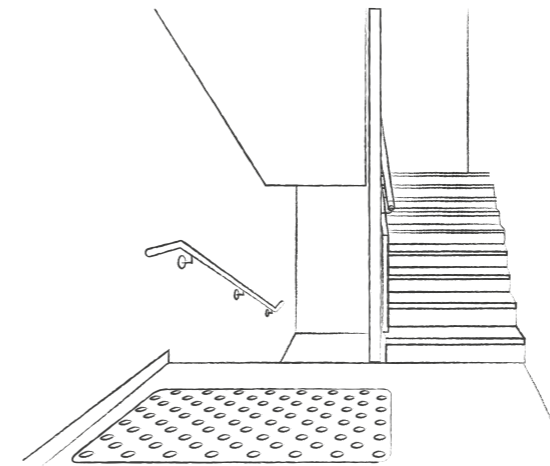


RAMP PROFILE

Very heavy traffic aluminium profile, to be screwed

- Silver 1454 011
- Stainless Steel 1454 012
- 📦 10 units of 2.7 lm

ACCESSIBILITY



WARNING TILE

■ Helps recognize a change in level, in accordance with regulatory requirements for disabled access and safety

■ Self-adhesive or to be glued to the floorcovering (according to product), Format: 800 x 420 x 7mm

📦 1 box of 6 tiles

- White 1431 001
- Black 1431 002
- light Grey 1431 003
- Yellow 1431 006

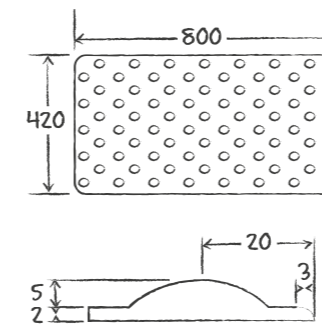
■ Self-adhesive rectangular tiles, Format: 815 x 420 x 8mm

📦 1 box of 6 tiles

■ Self-adhesive square tiles, Format: 450 x 420 x 8mm

📦 1 box of 20 tiles

- White 1440 350 - 1440 450
- Grey 1440 351 - 1440 451
- Black 1440 352 - 1440 452
- Ivory 1440 353 - 1440 453
- Red 1440 354 - 1440 454
- Yellow 1440 355 - 1440 455



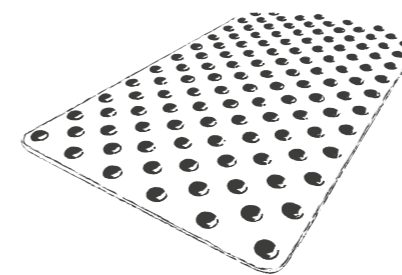
3D STUD

■ Accessibility accessory

■ Ready-to-use podotactile studs to be simply fitted on top of the existing floorcovering

- White 1440 050
- Grey 1440 051
- Black 1440 052
- Ivory 1440 053
- Red 1440 054
- Yellow 1440 055

📦 5mm x 25mm stud in packs x 200



TECHNICAL DATA iD TILT

Certification & classification	Standards	iD Tilt
Type of floor covering	EN ISO 10582	Modular heterogeneous product with interlocking connection
CE certification	EN 14041	Yes
Classification	EN ISO 10874 (EN 685)	Commercial: 34 Industrial: 43
Technical characteristics		
Total thickness	EN ISO 24346	5,0 mm
Wear layer thickness	EN ISO 24340	0,70 mm
Total weight	EN ISO 23997	7400 g/m ²
Wear layer binder content	EN ISO 10582	Type I
Dimensions	EN ISO 24342 - EN 427 Tiles	91.44 x 91.44 cm (Granite) 3 tiles/box (= 2.51 m ² - 20.10 kg) 45.72 x 45.72 cm (Concrete) 10 tiles/box (= 2.09 m ² - 16.70 kg)
Surface treatment (PUR)		Yes
Technical performances		
Dimensional stability	EN ISO 23999 - EN 434	< 0.15 %
Reaction to fire	EN 13501-1	B _{fl} -s1 over concrete substrate
Residual indentation	EN ISO 24343-1 - EN 433	< 0.10 mm
Furniture leg	ISO 16581 - EN 424	No damage
Castor chair	ISO 4918 - EN 425	No damage
Curl resultant to heat	ISO 23999 - EN 434	≤ 2 mm
Impact sound reduction	EN ISO 717-2	ΔL _w = 6 dB
Thermal resistance	EN ISO 10456	approx. 0,05 m ² K/W
Light fastness	EN ISO 105-B02	≥ 6
Slip resistance	EN 13893 DIN 51130	μ ≥ 0.30 DS R9
Electrical properties	EN 1815 EN 1081	< 2 kV on concrete R1 > 10 ⁹ Ω
Resistance to chemicals	EN ISO 26987	Resistance

The above information is subject to modification for the benefit of further improvement. (01/17).

Tarkett's instructions regarding installation, cleaning and maintenance should be observed. Please contact Tarkett at the address shown for these instructions.

CUSTOMS TARIFF : 4820 5000 00

PRODUCTS & ACCESSORIES DETAILS

DESIGN	COLOUR	91.44 x 91.44 cm	45.72 x 45.72 cm	SKIRTING	
				WHITE	ALUMINIUM
Granite	Black	4697 004		26640 700	26640 701
	Grey	4697 005			
	Red	4697 006			
	Blue	4697 007			
Concrete	Beige		24750 000		
	Grey		24750 001		
	Dark Grey		24750 002		

iD Tilt



FLOOR IS THE NEW PLAYGROUND

flooristhewnewplayground.tarkett.com

■ **WESTERN EUROPE:** Austria: Tarkett Holding GmbH, Niederlassung Wien – Tel. +43 1 47 88 062 ■ Belgium: Tarkett France Belux – Tel. +32 16 35 98 80 ■ Denmark: Tarkett A/S – Tel. +45 43 90 60 11 ■ Finland: Tarkett Oy – Tel. +358 9 4257 9000 ■ France: Tarkett SAS – Tel. +33 1 41 20 42 49 ■ Germany: Tarkett Holding GmbH, Bereich Objekt – Tel. +49 62 33 810 ■ Greece: Tarkett Monoprosopi Ltd – Tel. +30 210 6745 340 ■ Italy: Tarkett S.p.A. – Tel. +39 0744 7551 ■ Luxembourg: Tarkett GDL SA – Tel. +352 949 211 8804 ■ Netherlands: Tarkett Holding GmbH, Vestiging Nederland – Tel. +31 416 685 491 ■ Norway: Tarkett AS – Tel. +47 32 20 92 00 ■ Portugal: Tarkett SA – Tel. +351 21 427 64 20 ■ Spain: Tarkett Floors S.L – Tel. +34 91 358 00 35 ■ Sweden: Tarkett Sverige AB – Tel. +46 771 25 19 00 ■ Switzerland: Tarkett Holding GmbH, Bereich Objekt Schweiz – Tel. +41 043 233 79 24 ■ Turkey: Tarkett Aspen – Tel. +90 212 213 65 80 ■ United Kingdom: Tarkett Ltd – Tel. +44 (0) 1622 854 040 ■ **EASTERN EUROPE:** Baltic Countries: Tarkett Baltics: Tel. +370 37 262 220 ■ Czech Republic: Tarkett France SAS, org. slozka – Tel. +420-271 001 602 ■ Hungary: Tarkett France SAS – Tel. +36 1 437 8150 ■ Poland: Tarkett Polska Sp. z o. o. – Tel. +48 22 16 09 231 ■ Russian Federation: ZA0 Tarkett RUS – Tel. +7 495 775 3737 ■ Slovakia: Tarkett France SAS, org. zlozka – Tel. +421 248 291 317 ■ South East Europe: Tarkett Trade d.o.o. – Tel. +381 21 7557 649 (44) 569 12 21 ■ Ukraine: Tarkett UA – Tel. +38 (0) 44 569 12 21 ■ **ASIA AND OCEANIA:** Australia: Tarkett Australia Pty Ltd – Tel. +61 2 88 53 12 00 ■ China: Tarkett Floor Covering (Shanghai) Co. Ltd. – Tel. +86 (21) 60 95 68 38 ext 841 ■ North East Asia: Tarkett Hong Kong Limited – Tel. +852 2511 8716 ■ India: Tarkett France (India Branch) – Tel. +91 11 4352 4073 ■ South East Asia: Tarkett Flooring Singapore Pte. Ltd. – Tel. +65 6346 1585 ■ **AFRICA:** Tarkett International: Tel. +33 1 41 20 41 01 ■ **MIDDLE EAST:** Tarkett Middle East: Tel. +961 1 51 3363/4 ■ Israel: Tarkett International: Tel. +33 1 41 20 41 01 ■ **NORTH AMERICA:** USA: Tarkett Inc. – Tel. +1 713 869 5811 / Johnsonite – Tel. +1 440 543 8916 ■ Canada: Tarkett Inc. – Tel. +1 450 293 173 ■ **LATIN AMERICA:** Brazil: Tarkett – Tel. 55 12 3954 7108 ■ Argentina - Chile - Uruguay: Tarkett Latam Mercosur – Tel. +54 11 47 08 07 72 / +54 9 11 44 46 88 82 ■ Bolivia - Colombia - Ecuador - Panama - Paraguay - Peru - Trinidad and Tobago - Venezuela: Tarkett – Tel. +55 11 9 8410 9310 / +55 11 95494 0069 ■ Mexico / Central America: Tarkett Latam Mexico – Tel. +55 11 98410 9310



www.tarkett.com