

UNIMINI KOPPY

PRODUCT INFORMATION

Name	Unimini Kopyy	Description	Park
Product #	8047023	Product # (old)	
Anchoring	Sunken Foundation	Colour	Bark brown post/light green panel
Age	2-5	Price	Contact HAGS
Assembly time	26 hours	Weight	382.4 kg
Volume	2.1 m ³	Safety Area	36 m ²
Length	4400 mm	Safety Area Length	8000 mm
Width	3600 mm	Safety Area Width	6700 mm
Height	0 mm	Fall height	1000 mm

IMAGES



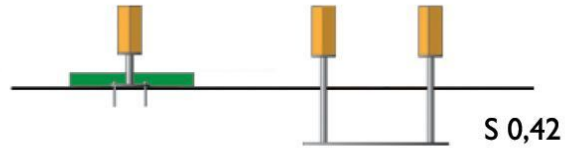


+2,38

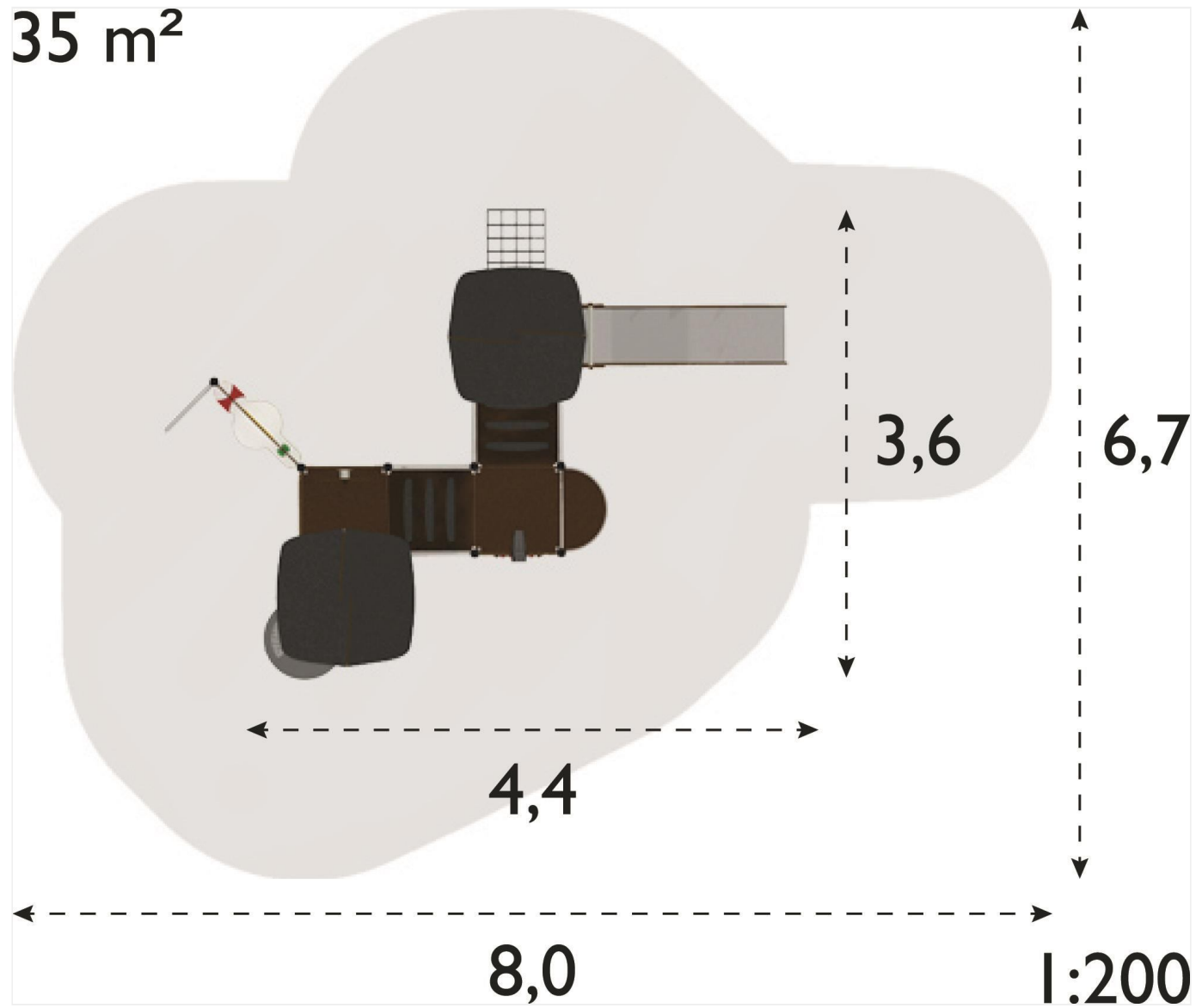
+0,96

+0,60

OM



S 0,42



PLAY FUNCTIONS



UM Play Panel

UM Algebra



Size: Width 0.4 m, height 0.2 m. Materials: Panel of HPL. Polyamide knobs marked with numbers.



UM Balcony

Module size: 0.67 m. Materials: Frame of tubular steel with steel mesh infill. All of the steel components are electro-galvanised, primed and powder-lacquered. Deck of plywood finished with a phenolic film coating.



UM Ramp to Deck

Module size: 0.67 m. Materials: Decking of 21 mm plywood finished with a phenolic film coating. Foundation frame of 33 mm hot-galvanised tubular steel.



UM Sand Table

Size: 0,67 m. Material: Mounted i a corner with two standard UniMini screens. Material: Board of HPL. Sieve of stainless steel.



UM Scramble Net

Module size: 0.67 m. Materials: Net of hot-galvanised chain covered in a sleeve of solid polyurethane. The all-steel anchor fittings are electro-galvanised, primed and powder-lacquered.



UM Ships Wheel

Size: 0.4 m diameter. Materials: Wheel in HPL. Frame of electro-galvanised, powder-lacquered steel. Braked-action rotation.



UM HPL Slide

Width: 0.45 m. Module size: 0.67 m. Materials: Sides of 18 mm HPL. Chute of 1.0 mm pattern-rolled stainless steel. A 3 mm sheet of oil-hardened hardboard under the full length of the chute helps to reduce noise.



UM Sorting Game

Size: Length 0.4 m, height 0.1 m. Materials: Steel plate frame, electro-galvanised and powder-lacquered. Polyamide rollers marked with colours and designs.



UM Telescope

Size: Ø 130 mm, length 240 mm Material: Binocular of plastic. Fittings of electro galvanized and powdrecoated steel.

MATERIAL

Material	kg	%
Zink (electro-galvanised)	0.0484	0.01
Cast iron	0.2	0.04
Polyurethane solid (PUR)	0.8073	0.16
Aluminium	0.8408	0.17
Rubber	0.87	0.17
Polyethylene (PE)	1.414	0.28
Polyamide (PA)	1.7232	0.35
Zink (hot-galvanised)	2.355	0.47
Fibreboard	4	0.8
Recycled thermoplastics	4.35	0.87
Stainless steel	11.9687	2.4
Plywood	49.0306	9.82
Pine	69.9874	14.02
Steel	169.505	33.95
HPL	182.419	36.53
Polypropylene (PP)	0.002	0
	499.5 kg	100%