

UNIMINI KOLLA

PRODUCT INFORMATION

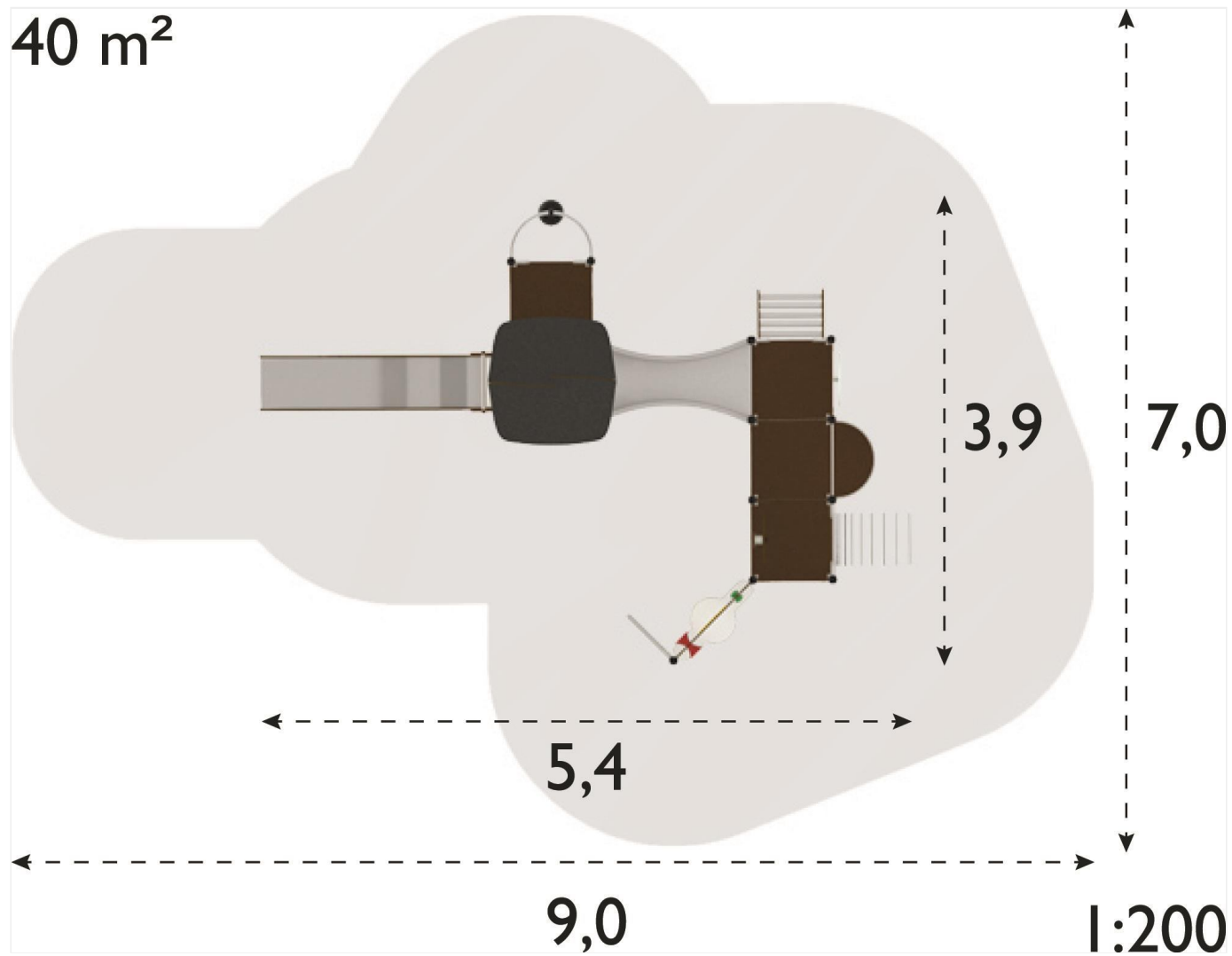
Name	Unimini Kolla	Description	Park
Product #	8047093	Product # (old)	
Anchoring	Sunken Foundation	Colour	Bark brown post/light green panel
Age	2-5	Price	Contact HAGS
Assembly time	28 hours	Weight	465.3 kg
Volume	2.9 m ³	Safety Area	40 m ²
Length	5400 mm	Safety Area Length	9000 mm
Width	3900 mm	Safety Area Width	7000 mm
Height	2850 mm	Fall height	1300 mm

IMAGES





40 m²



PLAY FUNCTIONS



Clock



UM Play Panel



UM Spinner



Ball Post

MODULAR DIMENSIONS: 1.00 m. MATERIALS: Manufactured from galvanised and powder-lacquered tubular steel. Microcell-polyurethane foam balls.



UM Balcony

Module size: 0.67 m. Materials: Frame of tubular steel with steel mesh infill. All of the steel components are electro-galvanised, primed and powder-lacquered. Deck of plywood finished with a phenolic film coating.



UM Cooker

Size: Width 0.55 m Materials: Electro-galvanised and powder-lacquered steel profile console. Hob top and front panel in HPL.



UM Scramble Net

Module size: 0.67 m. Materials: Net of hot-galvanised chain covered in a sleeve of solid polyurethane. The all-steel anchor fittings are electro-galvanised, primed and powder-lacquered.



UM Shop

MATERIALS: Phenol film-coated plywood or HPL. Galvanised and powder-lacquered steel plate frame.



UM Ships Wheel

Size: 0.4 m diameter. Materials: Wheel in HPL. Frame of electro-galvanised, powder-lacquered steel. Braked-action rotation.



UM HPL Slide

Width: 0.45 m. Module size: 0.67 m. Materials: Sides of 18 mm HPL. Chute of 1.0 mm pattern-rolled stainless steel. A 3 mm sheet of oil-hardened hardboard under the full length of the chute helps to reduce noise.



UM Stairs

Width: 0.45 m. Module size: 0.67 m. Materials: Aluminium steps. HPL sides.

MATERIAL

Material	kg	%
Cast iron	0.2	0.03
Polyurethane solid (PUR)	0.8073	0.12
Zink (electro-galvanised)	0.8827	0.13
Polyamide (PA)	1.2822	0.19
Zink (hot-galvanised)	2.5051	0.37
Fibreboard	3.6723	0.55
Polyurethane foam/flex	8.4	1.25
Stainless steel	11.9637	1.79
Aluminium	14.7925	2.21
Polyethylene (PE)	17.817	2.66
Plywood	41.4864	6.19
Pine	94.2045	14.06
HPL	210.291	31.38
Steel	261.994	39.1
Polypropylene (PP)	0.002	0
	670.3 kg	100%