

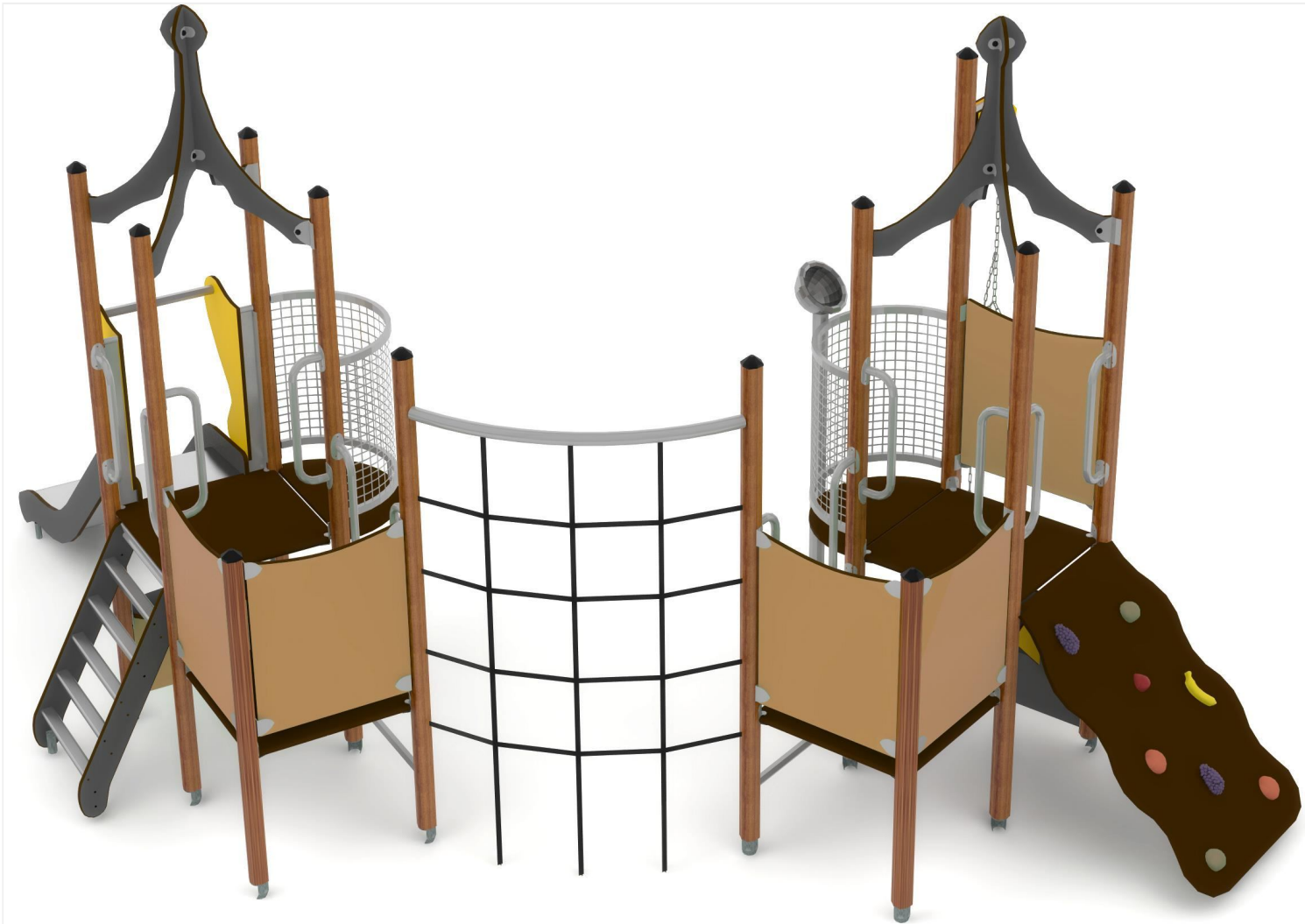
UNIMINI RILLA

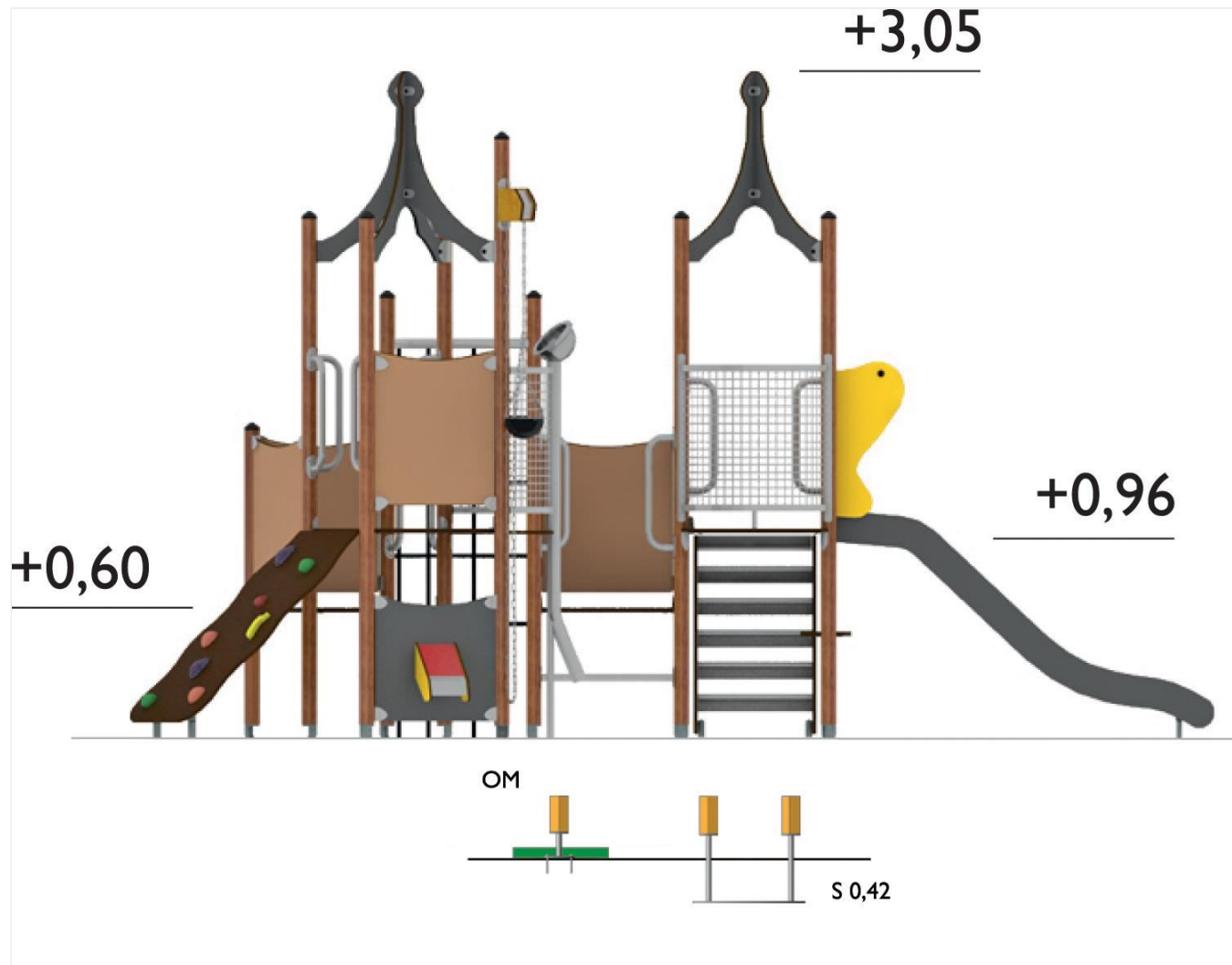
PRODUCT INFORMATION

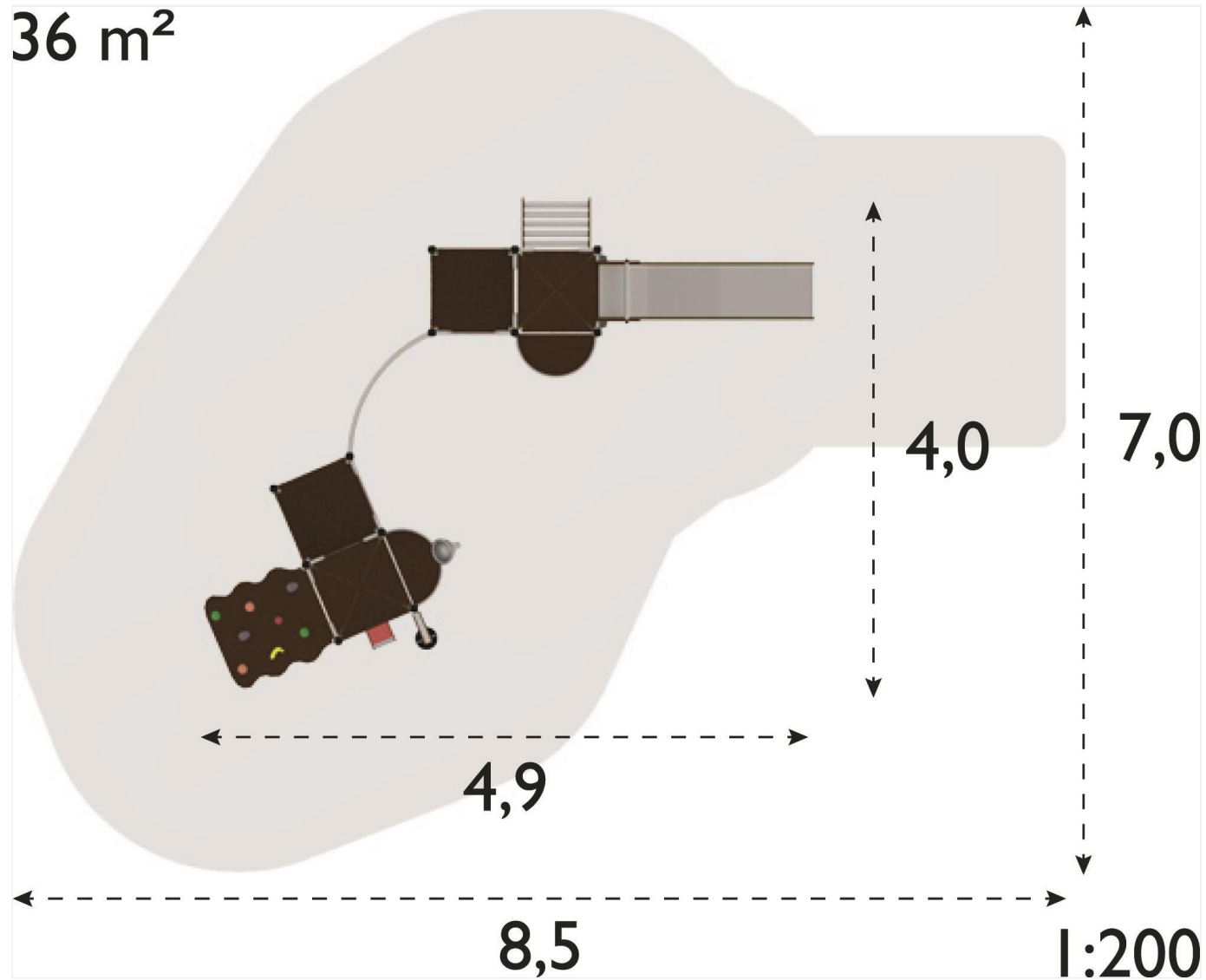
Name	Unimini Rilla	Description	Pure
Product #	8047083	Product # (old)	
Anchoring	Sunken Foundation	Colour	Bark brown post/beige panel
Age	2-5	Price	Contact HAGS
Assembly time	27 hours	Weight	357.2 kg
Volume	2.2 m ³	Safety Area	37 m ²
Length	4900 mm	Safety Area Length	8500 mm
Width	4000 mm	Safety Area Width	7000 mm
Height	3100 mm	Fall height	1800 mm

IMAGES









PLAY FUNCTIONS



UM Play Panel

Sand Pipe

DIMENSIONS: Pipe length 2.20 m, floor assembly height 1.50 m. MATERIALS: Galvanised and powder-lacquered tubular steel. Stainless steel sand



track. HPL sides.



UM Balcony

Module size: 0.67 m. Materials: Frame of tubular steel with steel mesh infill. All of the steel components are electro-galvanised, primed and powder-lacquered. Deck of plywood finished with a phenolic film coating.



UM Climbing Net

Width: 1.14 m. Height: 1.75 m. Materials: Net of 5 mm hot-galvanised chain covered in solid polyurethane. The all-steel suspension fittings are electro-galvanised, primed and powder-lacquered. Order extra posts if installing more nets.



UM Climbing Wall single

Module size: 0.67 m. Materials: 21 mm plywood finished with a phenolic film coating. Poly-concrete hand and foot grips.



UM Sand Hopper

Dimensions: Module width 0.67 m, height 0.58 m. Materials: Panel of 12 mm HPL. Fittings of 3 mm sheet metal, hot-galvanised, primed and powder-lacquered. Sand hopper with sides of 8 mm HPL, chute of 1.5 mm stainless steel and hatch of 2.0 mm sheet metal, electro-galvanised, primed and powder-lacquered.



UM Shop

MATERIALS: Phenol film-coated plywood or HPL. Galvanised and powder-lacquered steel plate frame.



UM HPL Slide

Width: 0.45 m. Module size: 0.67 m. Materials: Sides of 18 mm HPL. Chute of 1.0 mm pattern-rolled stainless steel. A 3 mm sheet of oil-hardened hardboard under the full length of the chute helps to reduce noise.



UM Stairs

Width: 0.45 m. Module size: 0.67 m. Materials: Aluminium steps. HPL sides.

MATERIAL

	Material	kg	%
	Rubber	0.0757	0.02
	Zink (electro-galvanised)	0.1065	0.02

Cast iron	0.44	0.09
Polyurethane solid (PUR)	1.08	0.22
Polyester	1.317	0.27
Polyethylene (PE)	1.4574	0.3
Polyamide (PA)	1.3438	0.27
Zink (hot-galvanised)	2.0615	0.42
Fibreboard	4	0.82
Aluminium	4.5381	0.93
Stainless steel	13.09	2.68
Plywood	52.7826	10.79
Pine	84.0829	17.18
HPL	131.496	26.87
Steel	191.892	39.22
Polypropylene (PP)	0.002	0
	489.8 kg	100.1%

HAGS Aneby AB - A Play Power Inc Company - hags@hags.com