

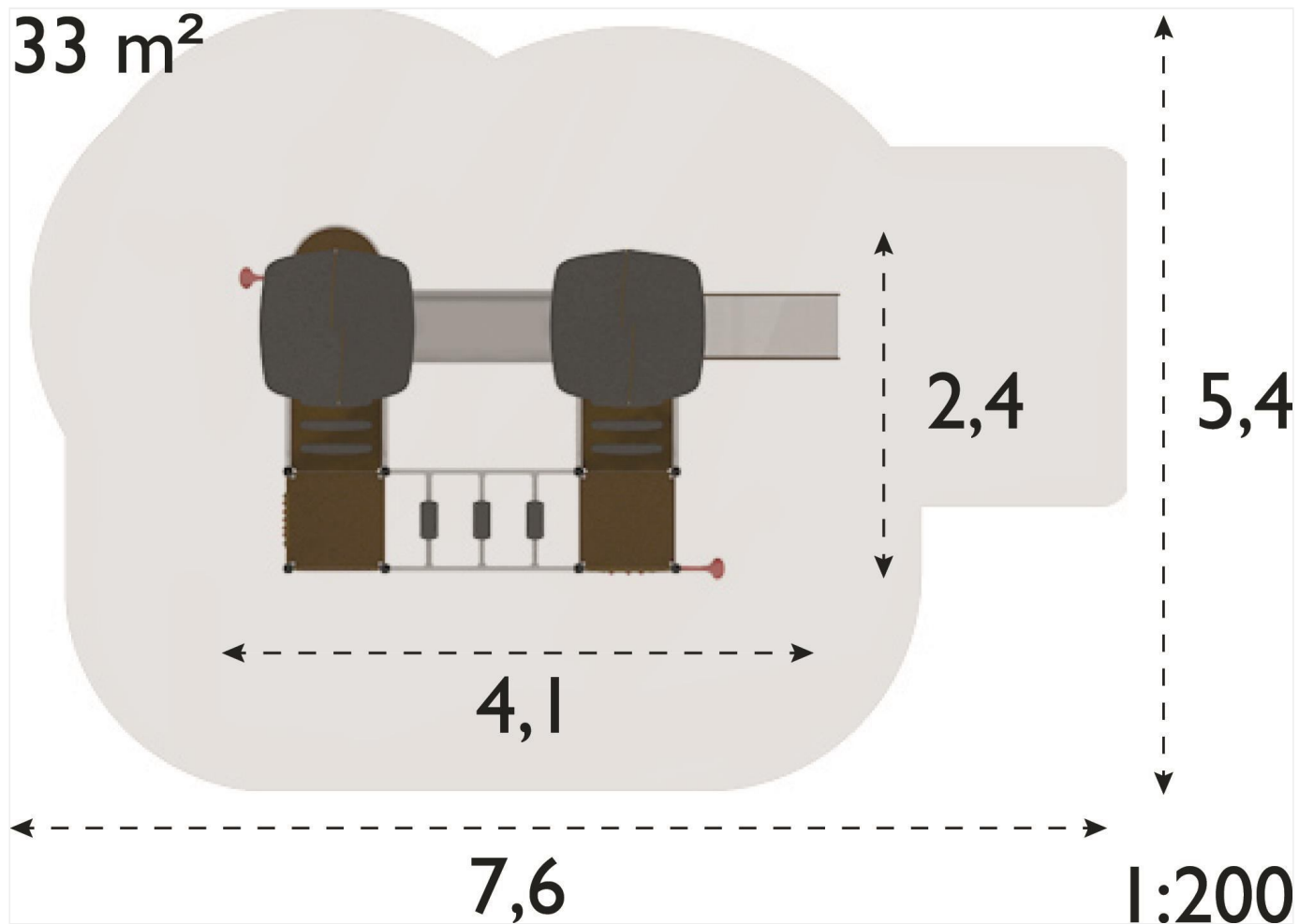
UNIMINI JUSTER

PRODUCT INFORMATION

Name	Unimini Juster	Description	Vivid
Product #	8047709	Product # (old)	
Anchoring	Sunken Foundation	Colour	Bark brown post/red panel
Age	2-5	Price	Contact HAGS
Assembly time	30 hours	Weight	433.2 kg
Volume	2.14 m ³	Safety Area	34 m ²
Length	4200 mm	Safety Area Length	7500 mm
Width	2400 mm	Safety Area Width	5500 mm
Height	2000 mm	Fall height	600 mm

IMAGES





PLAY FUNCTIONS



UM Algebra

Size: Width 0.4 m, height 0.2 m. Materials: Panel of HPL. Polyamide knobs marked with numbers.



UM Balcony

Module size: 0.67 m. Materials: Frame of tubular steel with steel mesh infill. All of the steel components are electro-galvanised, primed and powder-lacquered. Deck of plywood finished with a phenolic film coating.

UM Crawl Tube

Module size: 0.67x1.33 m. Materials: Tunnel of 1.5 mm stainless steel with screen sections of 12 mm high-pressure laminate (HPL).



UM Pair Game

Size: To be mounted on a standard UniMini screen. Material: Gameboard of HPL. Knobs of plastic.



UM Ramp to Deck

Module size: 0.67 m. Materials: Decking of 21 mm plywood finished with a phenolic film coating. Foundation frame of 33 mm hot-galvanised tubular steel.



UM Ships Wheel

Size: 0.4 m diameter. Materials: Wheel in HPL. Frame of electro-galvanised, powder-lacquered steel. Braked-action rotation.



UM HPL Slide

Width: 0.45 m. Module size: 0.67 m. Materials: Sides of 18 mm HPL. Chute of 1.0 mm pattern-rolled stainless steel. A 3 mm sheet of oil-hardened hardboard under the full length of the chute helps to reduce noise.



UM Speak

Speak Size: Height to the centre of the funnel 0,9 m. Material: Electrogalvanized and powdrecoated steel. Connection in the ground with plastic hose.



UM Step Climber

Module size: 0,67x1,33 m Material: Handle of electro galvanized and powdrecoated steel pipe. Steps of EkoGrip, rubbercoated plastic.



UM Telescope

Size: Ø 130 mm, length 240 mm Material: Binocular of plastic. Fittings of electro galvanized and powdrecoated steel.

MATERIAL

Material	kg	%
Aluzinc	0,0003	0

Zink (electro-galvanised)	0.0592	0.01
Aluminium	0.3713	0.07
Rubber	1.2267	0.23
Fibreboard	1.7856	0.33
Polyamide (PA)	1.3918	0.26
Zink (hot-galvanised)	2.6114	0.48
Polyethylene (PE)	1.3019	0.24
Recycled thermoplastics	6.1335	1.14
Plywood	49.0306	9.09
Stainless steel	83.9286	15.56
HPL	96.3088	17.85
Pine	112.748	20.9
Steel	182.621	33.85
Polypropylene (PP)	0	0
	539.5 kg	100%

HAGS Aneby AB - A Play Power Inc Company - hags@hags.com