

## UNIMINI ESPER

---

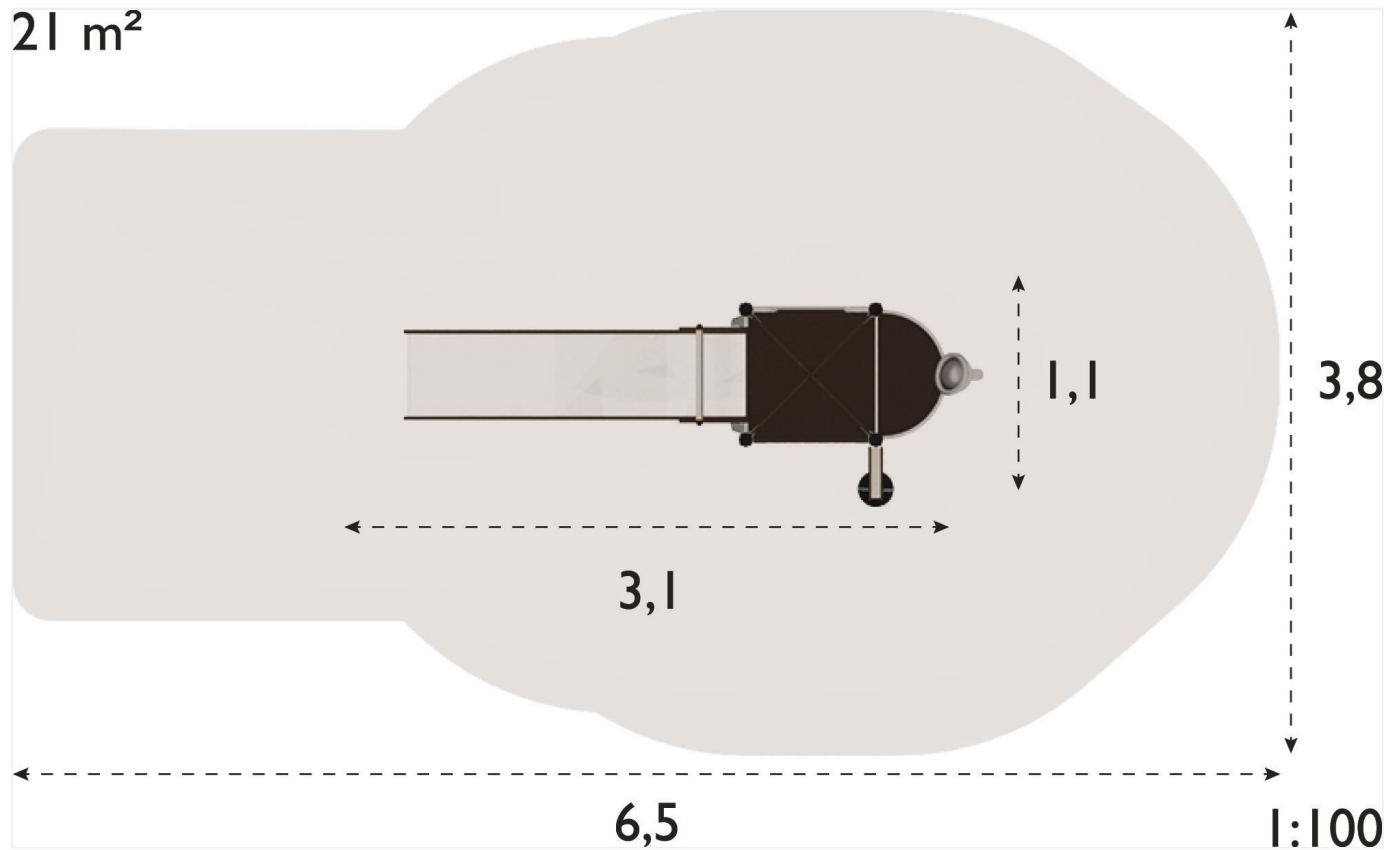
### PRODUCT INFORMATION

<b>Name</b>	Unimini Esper	<b>Description</b>	Pure
<b>Product #</b>	8046461	<b>Product # (old)</b>	
<b>Anchoring</b>	Sunken Foundation	<b>Colour</b>	Bark brown post/beige panel
<b>Age</b>	2-5	<b>Price</b>	Contact HAGS
<b>Assembly time</b>	11 hours	<b>Weight</b>	137.3 kg
<b>Volume</b>	1.5 m <sup>3</sup>	<b>Safety Area</b>	21 m <sup>2</sup>
<b>Length</b>	3100 mm	<b>Safety Area Length</b>	6500 mm
<b>Width</b>	1100 mm	<b>Safety Area Width</b>	3800 mm
<b>Height</b>	3050 mm	<b>Fall height</b>	1000 mm

---

### IMAGES





## PLAY FUNCTIONS



**UM Play Panel**



**Sand Pipe**

DIMENSIONS: Pipe length 2.20 m, floor assembly height 1.50 m. MATERIALS: Galvanised and powder-lacquered tubular steel. Stainless steel sand track. HPL sides.



**UM Shop**

MATERIALS: Phenol film-coated plywood or HPL. Galvanised and powder-lacquered steel plate frame.

**UM HPL Slide**



Width: 0.45 m. Module size: 0.67 m. Materials: Sides of 18 mm HPL. Chute of 1.0 mm pattern-rolled stainless steel. A 3 mm sheet of oil-hardened hardboard under the full length of the chute helps to reduce noise.

## MATERIAL

Material	kg	%
Zink (electro-galvanised)	0.0222	0.01
Polyurethane solid (PUR)	0.2809	0.14
Zink (hot-galvanised)	0.6758	0.34
Polyethylene (PE)	0.7934	0.4
Aluminium	0.8515	0.43
Polyamide (PA)	1.0188	0.51
Fibreboard	4	2.02
Stainless steel	9.5936	4.85
Plywood	11.3096	5.71
Pine	32.247	16.29
HPL	63.2717	31.96
Steel	73.8879	37.33
Polypropylene (PP)	0.002	0
	198 kg	100%