



» play » multiplay systems products » unimini products » unimini firon



### UniMini Firon

8051857



UniMini Firon, the perfect all-steel multiplay unit designed for spaces where maximizing play value in a compact footprint is essential. This dynamic play structure offers a range of engaging activities to keep children entertained and active.

**S** PC Steel Posts / Steel Panels  
Blue – Sunken Foundation

 4800 x 7050

### Icon Guide



Age Range



No. of Users



Assembly time



Free height of fall EN1176



Impact area EN1176



Accessible

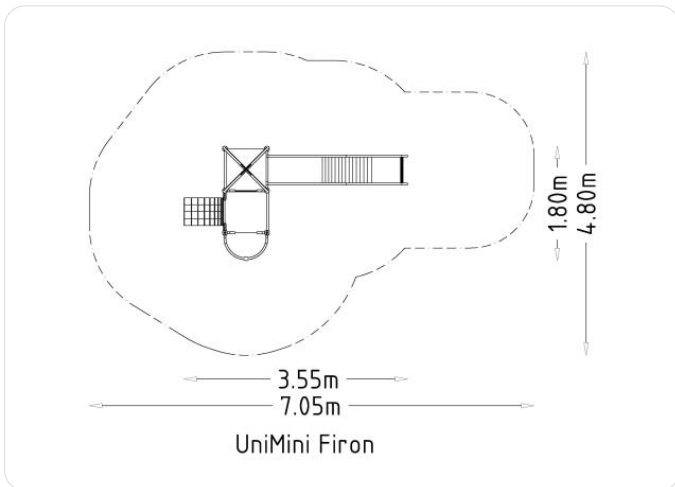
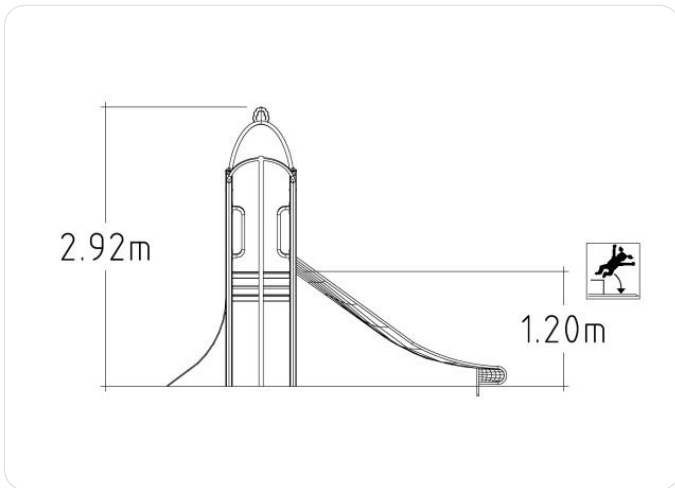


Space needed



# HAGS®

## Technical Information



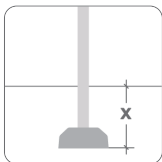
### Product Specifications

<b>Length (mm):</b>	3550 mm
<b>Width (mm):</b>	1800 mm
<b>Height (mm):</b>	2920 mm
<b>Net Weight:</b>	208,0766 kg
<b>Safety Area Width (mm):</b>	4800 mm
<b>Safety Area Length (mm):</b>	7050 mm
<b>Safety Area :</b>	24 m <sup>2</sup>
<b>Fall Height (mm):</b>	1200 mm
<b>Assembly Time:</b>	20 hours

### Product Materials

Material	kg	%
Aluminum	18	7,2
Polyamide (PA)	0,1	0
Polyethylene (PE)	0	0
Polyurethane solid (PUR)	0,9	0,4
Powder coating polyester	6	2,4
Stainless steel	22	8,8
Untreated Steel	201,9	81
Zink (electro-galvanised)	0	0
Zink (hot-galvanised)	0,4	0,2
	<b>249 kg</b>	<b>100%</b>

### Anchoring



**S** Sunken Foundation

### Technical Information

- [Download product installation guide](#)
- [Download inspection and maintenance guide](#)



# HAGS®

## Materials

### Our most common materials



**Structural Steel** is the ultimate recyclable choice. Our steel, which can be 100% reclaimed at the end of life, is built to last for generations, continuously rejoining the supply chain. Its durability, enhanced by our protective coatings, ensures a long lifespan, reducing ownership costs.



**Nordic Pine Wood** is responsibly sourced from certified Scandinavian forests. Our wood products, using this 'slow grown' Pine are known for their durability, with extended warranties. This aligns with sustainability practices, and HAGS' mission for environmental responsibility through carbon absorption and recyclability.



**High Pressure Laminate (HPL)** incorporates recycled materials into our play equipment and furniture products, offering fire and slip resistance, texture, and choice of colour. With up to 34% SCS-Certified recycled content, our HPL exceeds wear and impact resistance standards, ensuring exceptional lifetime value.



**FSC Certified Hardwood** in various furniture products, signify a dedication to sustainability and quality. Renowned for durability and attractiveness, our hardwoods show excellent natural resistance to decay and insects, making them ideal for outdoor furniture.



**Steel Core Rope** offers exceptional durability, UV stability, and a soft touch for users. Our customers will benefit from our in-depth expertise in ropes, connectors, and end fittings, ensuring they receive knowledgeable guidance tailored to their playground needs.



**Recycled Plastic**, EcoGrip used by HAGS, comprises 89% recycled polyethylene with a 2mm thick layer on one side. Some furniture pieces feature recycled polyethylene slats. Plastic components can be reclaimed at the end of life, being sorted by type, for optimal future recycling.



**Aluminium** which is present in some HAGS products, utilises EN AW6060 T6 quality in extruded profiles, often treated with anodizing. Its high recycled content and ability to be reclaimed at the end of life, reduces environmental impact.



**Rubber**, synthetic (EPDM or SBR) or natural, excels at absorbing vibrations for impact dampers. HAGS uses reclaimed car tires for swing seats, ensuring an eco-friendly second life and safety by selecting tires made post-January 2010, complying with REACH requirements.



**Fasteners** are the collective name for all types of bolts, nuts and rivets etc. available from HAGS. Our fasteners have an important function to fulfil, so we place great emphasis on having the right type and high-quality fasteners.