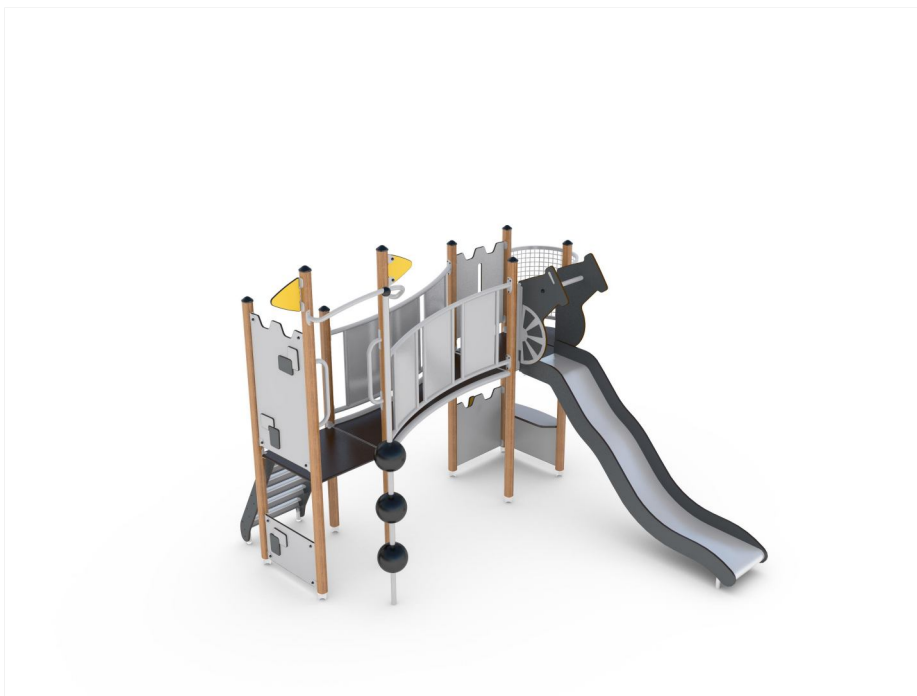


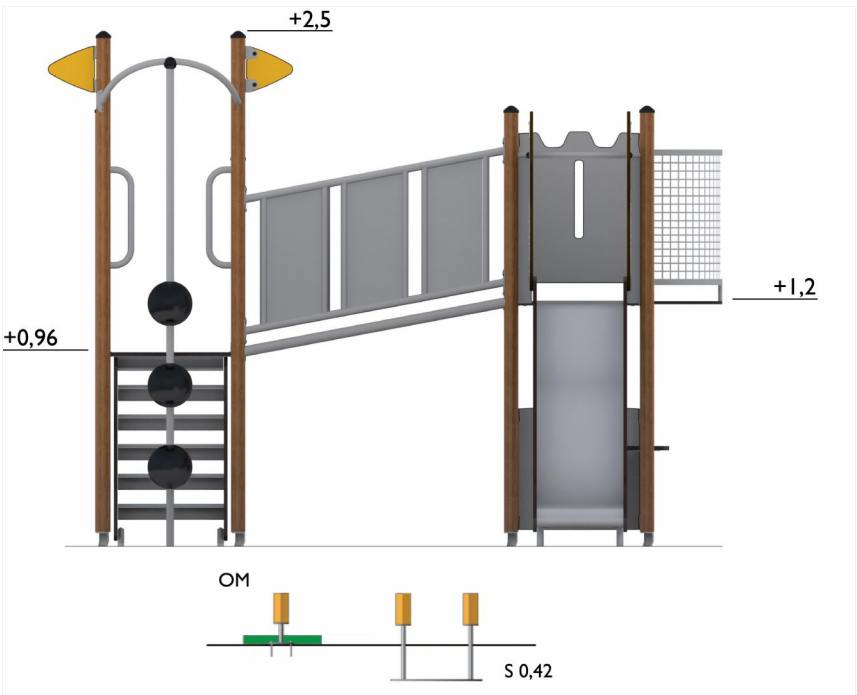
UNIMINI SALBEK

PRODUCT INFORMATION

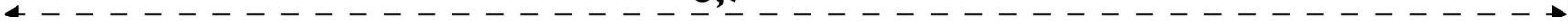
Name	UniMini Salbek	Description	
Product #	8055789	Product # (old)	
Anchoring	Sunken Foundation	Colour	
Age	2-5	Price	Contact HAGS
Assembly time	18 hours	Weight	315 kg
Volume	2 m ³	Safety Area	29 m ²
Length	3040 mm	Safety Area Length	6100 mm
Width	3200 mm	Safety Area Width	6700 mm
Height	2520 mm	Fall height	1300 mm

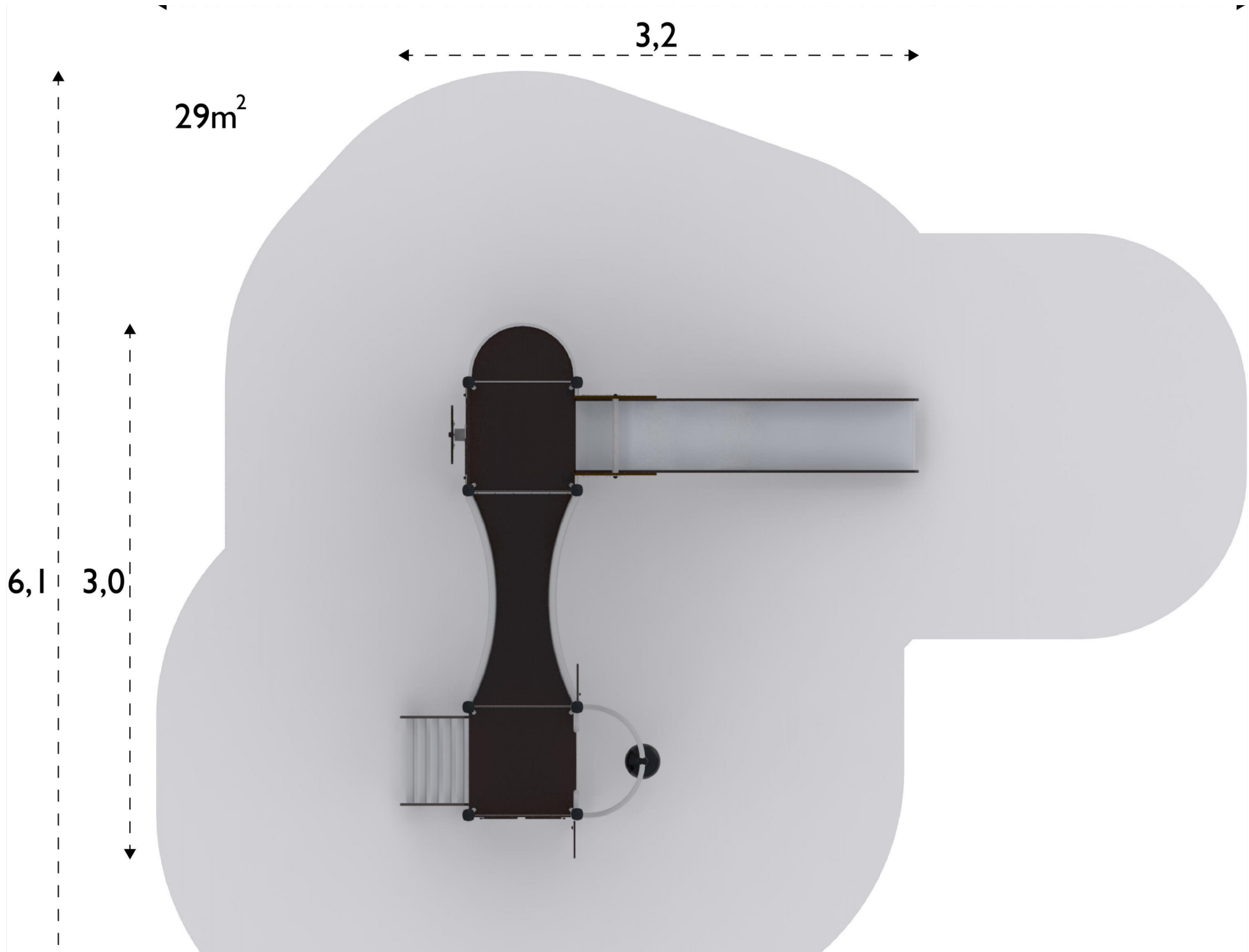
IMAGES





6,7







PLAY FUNCTIONS



UM Play Panel



Ball Post

MODULAR DIMENSIONS: 1.00 m. MATERIALS: Manufactured from galvanised and powder-lacquered tubular steel. Microcell-polyurethane foam balls.



UM Balcony

Module size: 0.67 m. Materials: Frame of tubular steel with steel mesh infill. All of the steel components are electro-galvanised, primed and powder-lacquered. Deck of plywood finished with a phenolic film coating.



UM Shop

MATERIALS: Phenol film-coated plywood or HPL. Galvanised and powder-lacquered steel plate frame.



UM Ships Wheel

Size: 0.4 m diameter. Materials: Wheel in HPL. Frame of electro-galvanised, powder-lacquered steel. Braked-action rotation.



UM HPL Slide

Width: 0.45 m. Module size: 0.67 m. Materials: Sides of 18 mm HPL. Chute of 1.0 mm pattern-rolled stainless steel. A 3 mm sheet of oil-hardened hardboard under the full length of the chute helps to reduce noise.



UM Stairs

Width: 0.45 m. Module size: 0.67 m. Materials: Aluminium steps. HPL sides.

MATERIAL

Material	kg	%
Polypropylene (PP)	0.002	0
Polyethylene (PE)	0.6936	0.15
Zink (electro-galvanised)	0.8639	0.19
Polyamide (PA)	0.8667	0.19
Zink (hot-galvanised)	1.3825	0.31
Fibreboard	3.6723	0.81
Polyurethane foam/flex	8.4	1.86
Stainless steel	9.9696	2.21
Aluminium	14.786	3.27
Plywood	18.8538	4.17
Pine	55.6966	12.33
HPL	134.154	29.69
Steel	202.555	44.82
	451.9 kg	100%

