



- » play » multiplay systems products » unimini products » unimini orvinn
- » wooden post above ground wooden posts / hpl panels multi



UniMini Orvinn

8057442



OM Wooden Posts / HPL Panels
Multi – Above Ground

5150 x 6500

The Orvinn is a compact play structure designed for small play areas or busy recreation grounds. It offers a wide range of play options, promoting imaginative adventures and active play. With boat windows, a pirate's flag, and cannonballs, it creates an exciting backdrop for role play and social interaction. The climbing and sliding features encourage physical activity and help develop gross motor skills. The Orvinn promotes inclusive play with graduated challenges and an accessible corner for children of different abilities. Its pirate theme, muted colors, and natural aesthetics blend well with green spaces. The use of low-maintenance HPL panels ensures easy cleaning, maintenance, and resistance to vandalism, making it a convenient choice for playgrounds.

Icon Guide



Age Range



No. of Users



Assembly time



Free height of fall EN1176



Impact area EN1176



Accessible

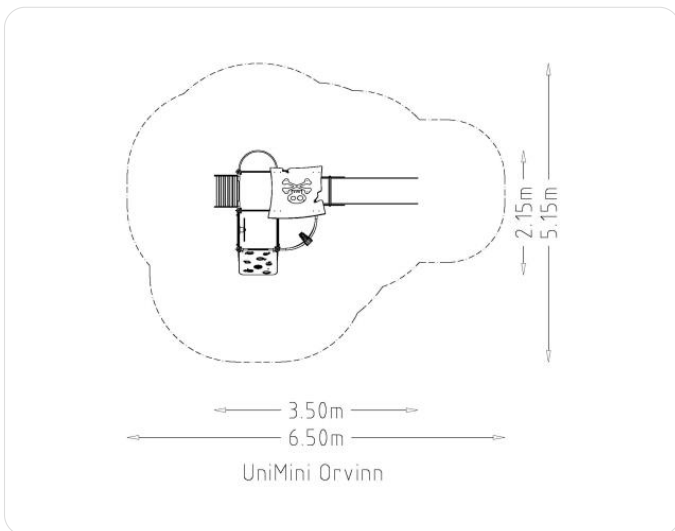
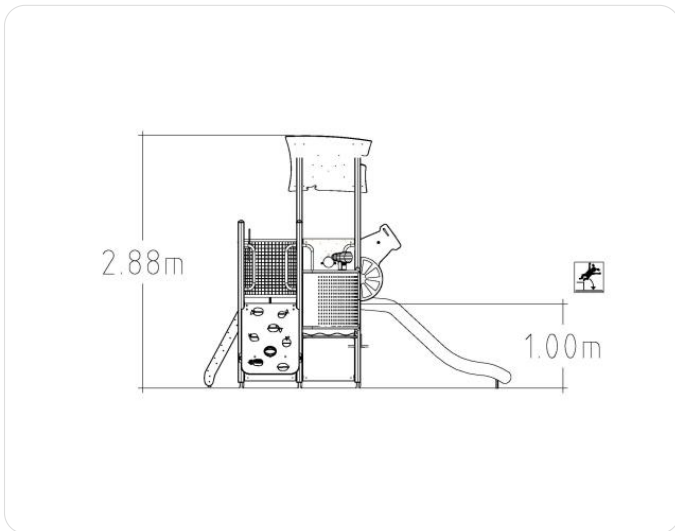


Space needed

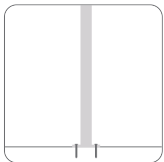


HAGS®

Technical Information



Anchoring



OM Above Ground

Technical Information

[Download product installation guide](#)

[Download inspection and maintenance guide](#)

Product Specifications

Age Range:	3-5
Length (mm):	3500 mm
Width (mm):	2150 mm
Height (mm):	2880 mm
Net Weight:	245,674 kg
Safety Area Width (mm):	5150 mm
Safety Area Length (mm):	6500 mm
Safety Area :	24 m ²
Fall Height (mm):	1000 mm
Assembly Time:	20 hours

Product Materials

Material	kg	%
Aluminum	2,5	0,6
Fibreboard	2,6	0,6
HPL	267,8	60,4
Pine	57	12,9
Polyamide (PA)	1,2	0,3
Polyester	2,9	0,6
Polyethylene (PE)	1	0,2
Powder coating polyester	2,6	0,6
Stainless steel	0,4	0,1
Stainless steel EN 1.4301	7,7	1,7
Untreated Steel	94,3	21,3
Wet paint for wood	2,4	0,6
Zink (electro-galvanised)	0,1	0
Zink (hot-galvanised)	0,6	0,1
	443 kg	100%



HAGS®

Materials

Our most common materials



Structural Steel is the ultimate recyclable choice. Our steel, which can be 100% reclaimed at the end of life, is built to last for generations, continuously rejoining the supply chain. Its durability, enhanced by our protective coatings, ensures a long lifespan, reducing ownership costs.



Nordic Pine Wood is responsibly sourced from certified Scandinavian forests. Our wood products, using this 'slow grown' Pine are known for their durability, with extended warranties. This aligns with sustainability practices, and HAGS' mission for environmental responsibility through carbon absorption and recyclability.



High Pressure Laminate (HPL) incorporates recycled materials into our play equipment and furniture products, offering fire and slip resistance, texture, and choice of colour. With up to 34% SCS-Certified recycled content, our HPL exceeds wear and impact resistance standards, ensuring exceptional lifetime value.



FSC Certified Hardwood in various furniture products, signify a dedication to sustainability and quality. Renowned for durability and attractiveness, our hardwoods show excellent natural resistance to decay and insects, making them ideal for outdoor furniture.



Steel Core Rope offers exceptional durability, UV stability, and a soft touch for users. Our customers will benefit from our in-depth expertise in ropes, connectors, and end fittings, ensuring they receive knowledgeable guidance tailored to their playground needs.



Recycled Plastic, EcoGrip used by HAGS, comprises 89% recycled polyethylene with a 2mm thick layer on one side. Some furniture pieces feature recycled polyethylene slats. Plastic components can be reclaimed at the end of life, being sorted by type, for optimal future recycling.



Aluminium which is present in some HAGS products, utilises EN AW6060 T6 quality in extruded profiles, often treated with anodizing. Its high recycled content and ability to be reclaimed at the end of life, reduces environmental impact.



Rubber, synthetic (EPDM or SBR) or natural, excels at absorbing vibrations for impact dampers. HAGS uses reclaimed car tires for swing seats, ensuring an eco-friendly second life and safety by selecting tires made post-January 2010, complying with REACH requirements.



Fasteners are the collective name for all types of bolts, nuts and rivets etc. available from HAGS. Our fasteners have an important function to fulfil, so we place great emphasis on having the right type and high-quality fasteners.