

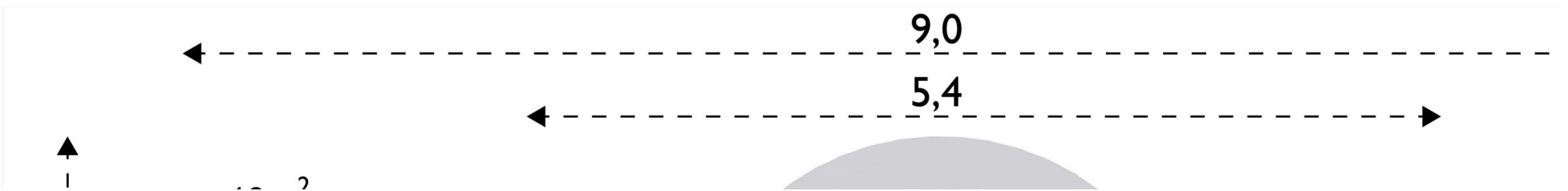
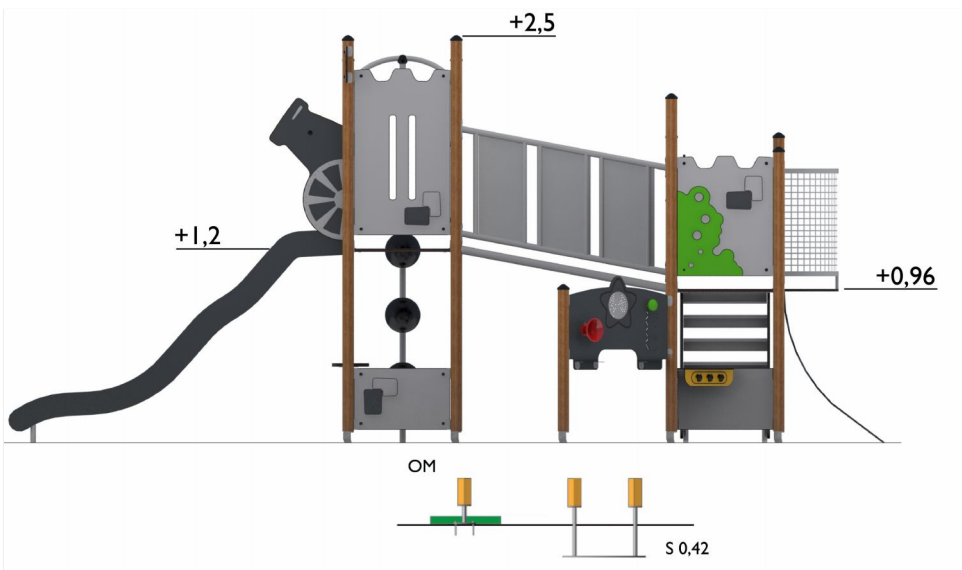
## UNIMINI KALBO

### PRODUCT INFORMATION

<b>Name</b>	UniMini Kalbo	<b>Description</b>	
<b>Product #</b>	8055773	<b>Product # (old)</b>	
<b>Anchoring</b>	Sunken Foundation	<b>Colour</b>	
<b>Age</b>	2-5	<b>Price</b>	Contact HAGS
<b>Assembly time</b>	28 hours	<b>Weight</b>	500 kg
<b>Volume</b>	4 m <sup>3</sup>	<b>Safety Area</b>	40 m <sup>2</sup>
<b>Length</b>	5420 mm	<b>Safety Area Length</b>	9000 mm
<b>Width</b>	3850 mm	<b>Safety Area Width</b>	7000 mm
<b>Height</b>	2520 mm	<b>Fall height</b>	1300 mm

### IMAGES

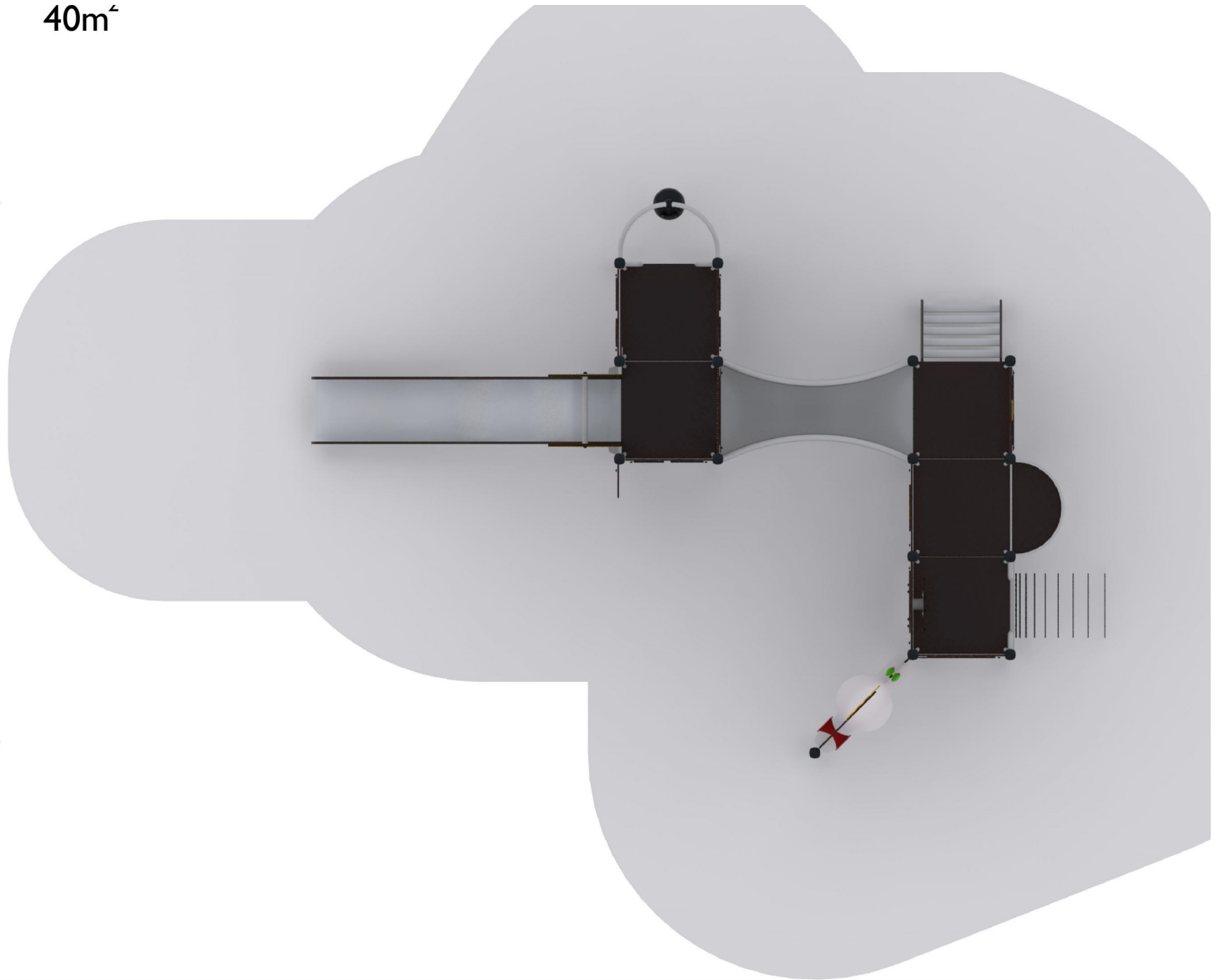




40m<sup>2</sup>

7,0

3,9



PLAY FUNCTIONS

UM Play Panel

**Ball Post**

MODULAR DIMENSIONS: 1.00 m. MATERIALS: Manufactured from galvanised and powder-lacquered tubular steel. Microcell-polyurethane foam balls.

**UM Balcony**

Module size: 0.67 m. Materials: Frame of tubular steel with steel mesh infill. All of the steel components are electro-galvanised, primed and powder-lacquered. Deck of plywood finished with a phenolic film coating.

**UM Cooker**

Size: Width 0.55 m Materials: Electro-galvanised and powder-lacquered steel profile console. Hob top and front panel in HPL.

**UM Scramble Net**

Module size: 0.67 m. Materials: Net of hot-galvanised chain covered in a sleeve of solid polyurethane. The all-steel anchor fittings are electro-galvanised, primed and powder-lacquered.

**UM Shop**

MATERIALS: Phenol film-coated plywood or HPL. Galvanised and powder-lacquered steel plate frame.

**UM Ships Wheel**

Size: 0.4 m diameter. Materials: Wheel in HPL. Frame of electro-galvanised, powder-lacquered steel. Braked-action rotation.

**UM HPL Slide**

Width: 0.45 m. Module size: 0.67 m. Materials: Sides of 18 mm HPL. Chute of 1.0 mm pattern-rolled stainless steel. A 3 mm sheet of oil-hardened hardboard under the full length of the chute helps to reduce noise.

**UM Stairs**

Width: 0.45 m. Module size: 0.67 m. Materials: Aluminium steps. HPL sides.

**MATERIAL**

Material	kg	%
Polypropylene (PP)	0.002	0
Polyurethane solid (PUR)	0.8073	0.11
Zink (electro-galvanised)	0.8837	0.12
Polyamide (PA)	1.1457	0.16
Polyethylene (PE)	1.2024	0.16
Zink (hot-galvanised)	2.4632	0.33
Fibreboard	3.6723	0.5
Polyurethane foam/flex	8.4	1.14
Stainless steel	12.0922	1.64
Aluminium	14.7925	2.01
Plywood	41.4864	5.62
Pine	98.7715	13.39
Steel	262.876	35.64
HPL	288.967	39.18
	737.6 kg	100%