

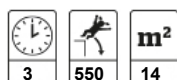


- » sport fitness » outdoor gym and fitness equipment » hags fitness equipment » hags air walker
- » cast in place yellow



### HAGS Air Walker

8062005



**CC** Yellow – Cast In Place

4150 x 4380

Helps to tone the calf and thigh muscles and improve general cardiovascular fitness, balance and co-ordination. Swing your legs back and forth whilst keeping your abs tight and maintaining a neutral spine. Gradually increase the speed and intensity to make the exercise more challenging. Gives you the full experience of a brisk walk without the strain.

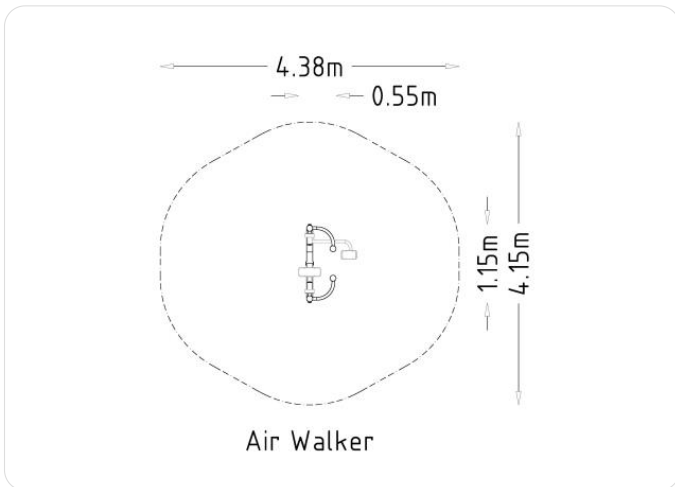
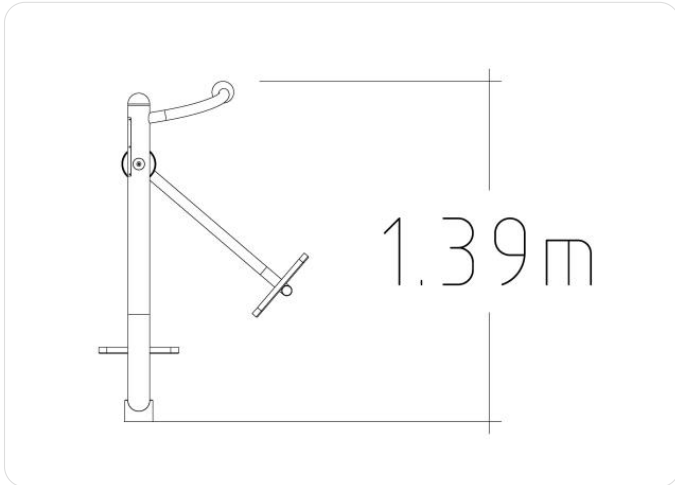
### Icon Guide

|           |              |               |                            |                    |            |              |
|-----------|--------------|---------------|----------------------------|--------------------|------------|--------------|
|           |              |               |                            |                    |            |              |
| Age Range | No. of Users | Assembly time | Free height of fall EN1176 | Impact area EN1176 | Accessible | Space needed |



# HAGS®

## Technical Information



Air Walker

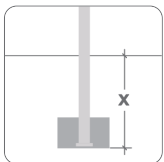
### Product Specifications

|                                 |                   |
|---------------------------------|-------------------|
| <b>Length (mm):</b>             | 1150 mm           |
| <b>Width (mm):</b>              | 550 mm            |
| <b>Height (mm):</b>             | 1390 mm           |
| <b>Net Weight:</b>              | 73 kg             |
| <b>Safety Area Width (mm):</b>  | 4150 mm           |
| <b>Safety Area Length (mm):</b> | 4380 mm           |
| <b>Safety Area :</b>            | 14 m <sup>2</sup> |
| <b>Fall Height (mm):</b>        | 550 mm            |
| <b>Assembly Time:</b>           | 3 hours           |

### Product Materials

| Material                 | kg           | %           |
|--------------------------|--------------|-------------|
| Aluminum                 | 0,2          | 0,2         |
| Polyurethane solid (PUR) | 0,1          | 0,2         |
| Powder coating polyester | 0,8          | 1           |
| Powder Coating primer    | 0,8          | 1           |
| Stainless steel          | 1,5          | 2           |
| Untreated Steel          | 68,8         | 95,5        |
|                          | <b>72 kg</b> | <b>100%</b> |

### Anchoring



**CC** Cast In Place

### Technical Information

- [Download product installation guide](#)
- [Download inspection and maintenance guide](#)



# HAGS®

## Materials

### Our most common materials



**Structural Steel** is the ultimate recyclable choice. Our steel, which can be 100% reclaimed at the end of life, is built to last for generations, continuously rejoining the supply chain. Its durability, enhanced by our protective coatings, ensures a long lifespan, reducing ownership costs.



**Nordic Pine Wood** is responsibly sourced from certified Scandinavian forests. Our wood products, using this 'slow grown' Pine are known for their durability, with extended warranties. This aligns with sustainability practices, and HAGS' mission for environmental responsibility through carbon absorption and recyclability.



**High Pressure Laminate (HPL)** incorporates recycled materials into our play equipment and furniture products, offering fire and slip resistance, texture, and choice of colour. With up to 34% SCS-Certified recycled content, our HPL exceeds wear and impact resistance standards, ensuring exceptional lifetime value.



**FSC Certified Hardwood** in various furniture products, signify a dedication to sustainability and quality. Renowned for durability and attractiveness, our hardwoods show excellent natural resistance to decay and insects, making them ideal for outdoor furniture.



**Steel Core Rope** offers exceptional durability, UV stability, and a soft touch for users. Our customers will benefit from our in-depth expertise in ropes, connectors, and end fittings, ensuring they receive knowledgeable guidance tailored to their playground needs.



**Recycled Plastic**, EcoGrip used by HAGS, comprises 89% recycled polyethylene with a 2mm thick layer on one side. Some furniture pieces feature recycled polyethylene slats. Plastic components can be reclaimed at the end of life, being sorted by type, for optimal future recycling.



**Aluminium** which is present in some HAGS products, utilises EN AW6060 T6 quality in extruded profiles, often treated with anodizing. Its high recycled content and ability to be reclaimed at the end of life, reduces environmental impact.



**Rubber**, synthetic (EPDM or SBR) or natural, excels at absorbing vibrations for impact dampers. HAGS uses reclaimed car tires for swing seats, ensuring an eco-friendly second life and safety by selecting tires made post-January 2010, complying with REACH requirements.



**Fasteners** are the collective name for all types of bolts, nuts and rivets etc. available from HAGS. Our fasteners have an important function to fulfil, so we place great emphasis on having the right type and high-quality fasteners.