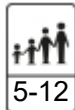


HAGS

Mayflower

6 seater

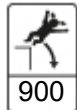
8000870



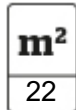
5-12



2.5



900



22



6000 x 4500

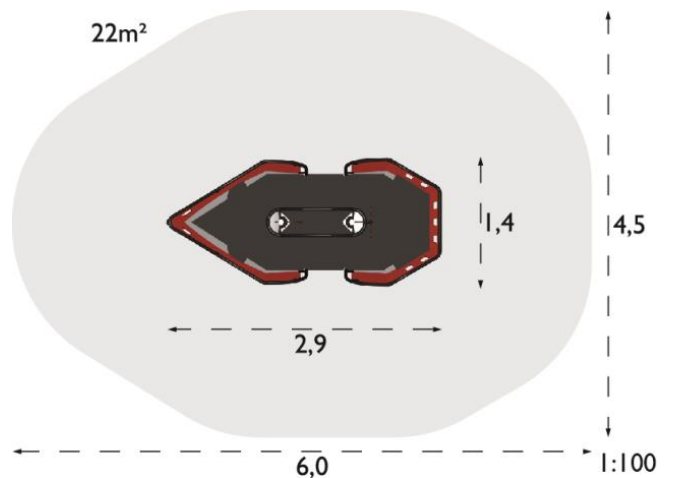
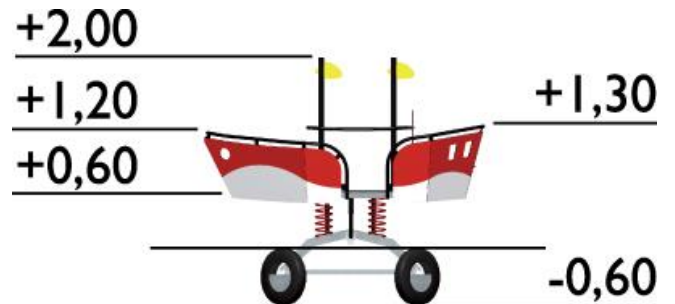


Product Specifications

- **Age Range:** 5-12
- **Assembly Time:** 2.5 hours
- **Length (mm):** 2900 mm
- **Width (mm):** 1400 mm
- **Height (mm):** 2000 mm
- **Net Weight:** 406 kg
- **Volume (m3):** 8.68 m³
- **Fall Height (mm):** 900 mm
- **Safety Area Width (mm):** 6000 mm
- **Safety Area Length (mm):** 4500 mm

Material

Material	kg	%
HPL	100.6521	20.95
Untreated Steel	232.2470	48.34
Stainless steel	0.0258	0.01
Aluminium	0.7015	0.15
	480 kg	100%



Material	kg	%
Zink (hot-galvanised)	3.3264	0.69
Zink (electro-galvanised)	0.0546	0.01
Polyester	0.0016	0.00
Polyamide (PA)	0.1697	0.04
Polyethylene (PE)	50.8508	10.59
Thermo plastic elastomer (TPE)	6.1370	1.28
Powder coating polyester	3.1535	0.66
Rubber	1.0800	0.22
Concrete	82.0000	17.07
	480 kg	100%