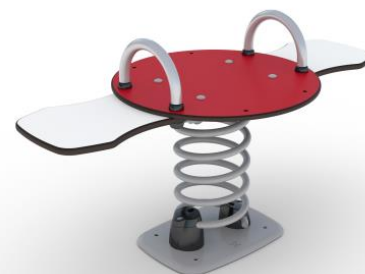


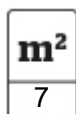

HAGS

Spring Toy Laddy

2 seater



8050110

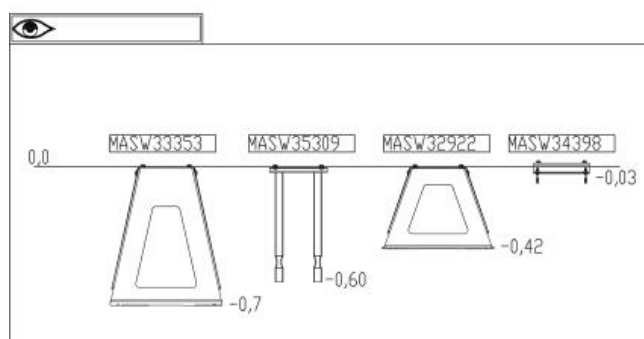
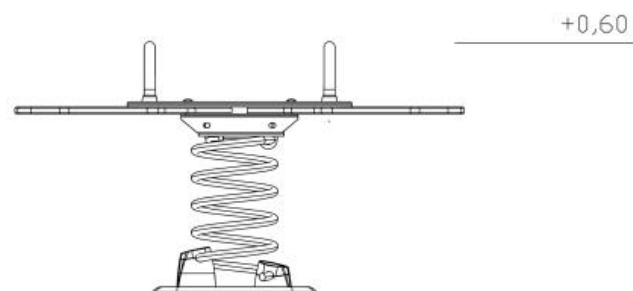

 3000 x 2500

Product Specifications

- **Age Range:** -4
- **Assembly Time:** 1 hours
- **Length (mm):** 1000 mm
- **Width (mm):** 500 mm
- **Height (mm):** 600 mm
- **Net Weight:** 26.86 kg
- **Volume (m3):** 0.38 m³
- **Fall Height (mm):** 600 mm
- **Safety Area Width (mm):** 3000 mm
- **Safety Area Length (mm):** 2500 mm

Material

Material	kg	%
HPL	13.9602	32.18
Untreated Steel	27.5100	63.42
Aluminium	0.4600	1.06
Zink (hot-galvanised)	0.3103	0.72
	43 kg	100%



Material	kg	%
Zink (electro-galvanised)	0.0092	0.02
Polyamide (PA)	0.0480	0.11
Polyethylene (PE)	0.7456	1.72
Powder coating polyester	0.3326	0.77
	43 kg	100%

