

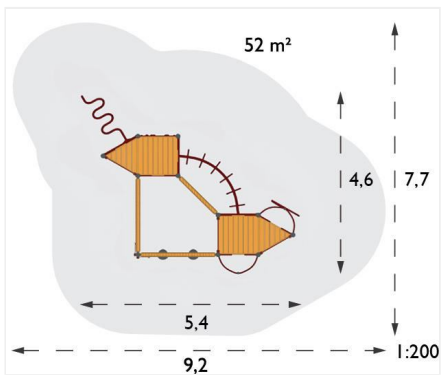
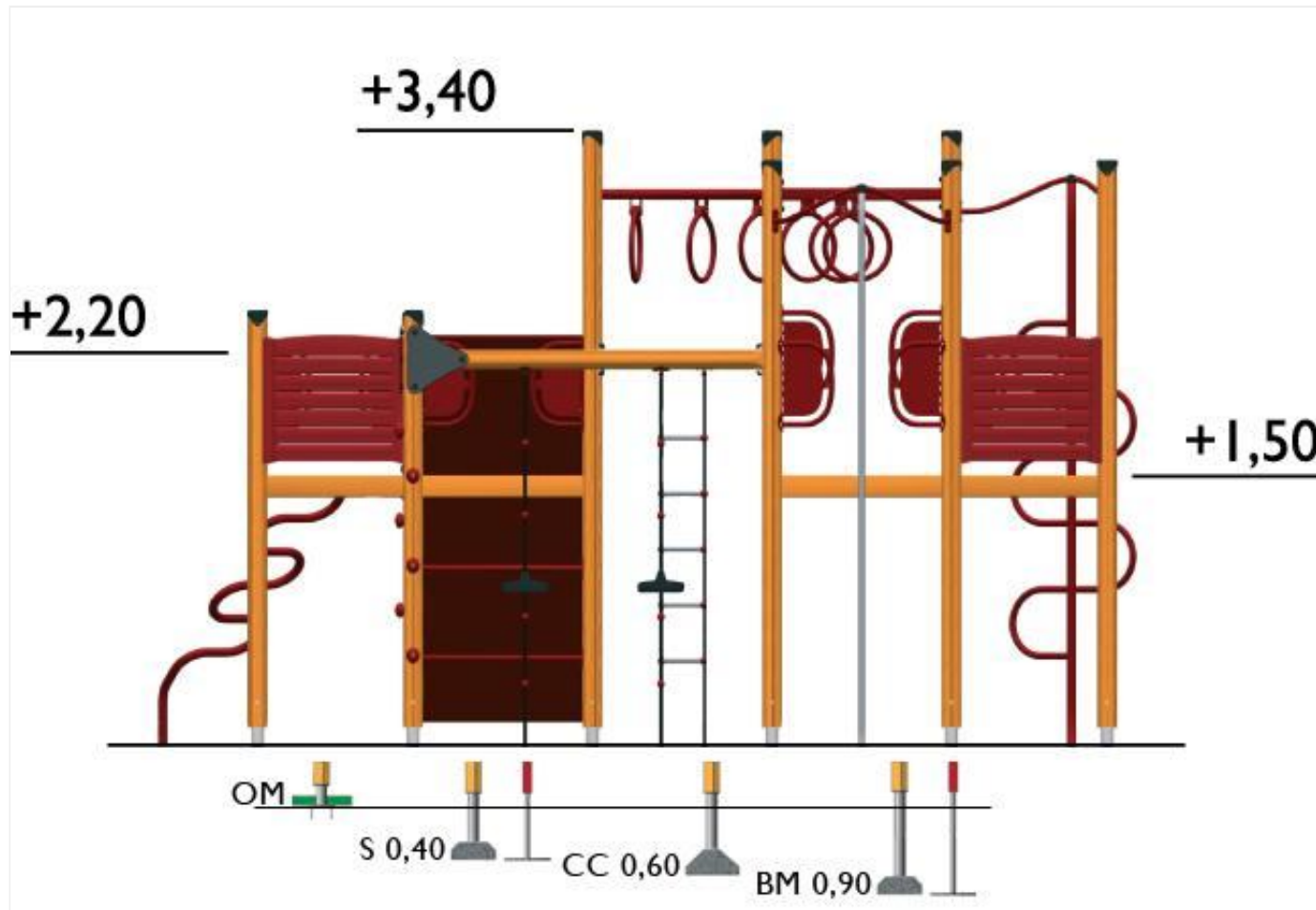
UNIPLAY NENO

PRODUCT INFORMATION

Name	UniPlay Neno	Description	
Product #	8009264	Product # (old)	408667
Anchoring	Sunken Foundation	Colour	Nature-Brown Post/Red Barrier
Age	5-12	Price	Contact HAGS
Assembly time	27 hours	Weight	848.3 kg
Volume	5.51 m ³	Safety Area	52 m ²
Length	5400 mm	Safety Area Length	9200 mm
Width	4600 mm	Safety Area Width	7700 mm
Height	3400 mm	Fall height	2600 mm

IMAGES







PLAY FUNCTIONS



Firemans Pole

MODULAR DIMENSIONS: 1.00 m. MATERIALS: Sliding pole manufactured from anodised aluminium. Protective curve manufactured from galvanised and powder-lacquered tubular steel.



Jinklink

MODULAR DIMENSIONS: 1.00x2.00 m. MATERIALS: High-tensile, galvanised and powder-lacquered steel.

**Amble Ladder**

MODULAR DIMENSIONS: 2.00 m. MATERIALS: Hot-galvanised chain coated with solid polyurethane. Extruded aluminium steps secured with a ball-shaped polyamide component. Galva-nised and powder-lacquered tubular steel/attachment rail. Also available without an attachment fitting.

**Post Grip**

DIMENSIONS: 9x7x5 cm. MATERIALS: Manufactured from injection-moulded polyamide plastic.

**Rope Ladder**

MODULAR DIMENSIONS: 1.00 m. MATERIALS: Hot-galvanised chain coated with solid polyurethane. Extruded aluminium steps secured with ballshaped polyamide attachments. Supplied with galvanised, powder-lacquered tubular steel or steel fittings.

**Snaky**

HEIGHT: 1.50 m. MODULAR DIMENSIONS: 1.00 m MATERIALS High-tensile, galvanised and powder-lacquered steel.

**Spider Walk**

HEIGHT: 2.80 m, floor height 1.50 m. MODULAR DIMENSIONS: 1.00 m. MATERIALS: High-tensile, galvanised and powder-lacquered steel.

**Climbing Wall**

MATERIALS: A phenol film-coated plywood or HPL wall with synthetic material grips. Electro-galvanised and powder-lacquered steel brackets.

**Climb Seat**

MODULAR DIMENSIONS: 1.00 m. MATERIALS: Hot-galvanised chain coated with solid polyurethane. Extruded aluminium steps secured with ballshaped polyamide attachments. Supplied with galvanised, powder-lacquered tubular steel or steel fittings. Seat from micro cell foamed polyurethane.

MATERIAL

Material	kg	%
Aluzinc	0.0048	0
Polyester	0.0392	0
Zink (electro-galvanised)	0.2649	0.02
Polyethylene (PE)	0.7023	0.06
Stainless steel	0.8596	0.07

Polyurethane solid (PUR)	1.587	0.14
Polyurethane foam/flex	1.78	0.15
Zink (hot-galvanised)	1.4367	0.12
HPL	2.352	0.2
Aluminium	8.24	0.71
Plywood	20.475	1.76
Polyamide (PA)	15.2008	1.31
Steel	268.251	23.12
Concrete	324.5	27.97
Pine	514.469	44.35
Cast iron	0.36	0.03
	1160.5 kg	100%

HAGS Aneby AB - A Play Power Inc Company - hags@hags.com